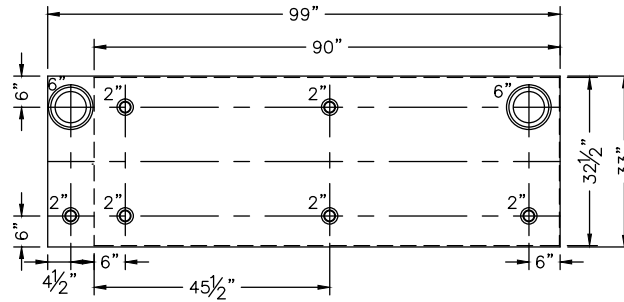
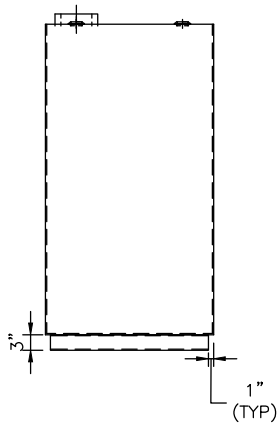


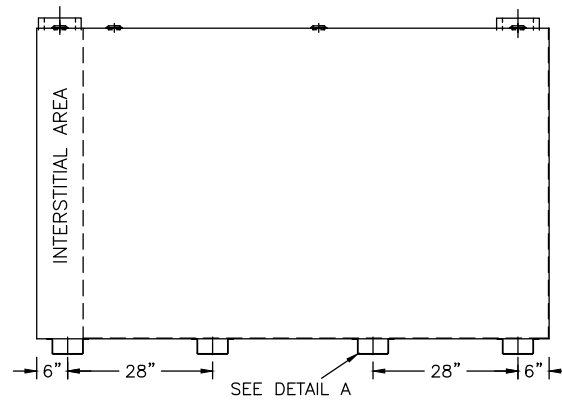
DETAIL A



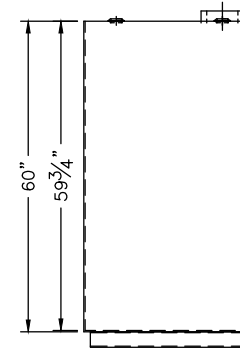
TOP VIEW



LEFT SIDE



FRONT VIEW



RIGHT SIDE

NOZZLE SCHEDULE							
ITEM	SIZE	RATING	TYPE	MATL	PROJ IN	PROJ OUT	REMARKS
A	6"	N.P.T.	H.CPL	C.S.	STD.	STD.	EMERGENCY VENT OPENING
B	2"	N.P.T.	W.F.	C.S.	STD.	STD.	

NOTES:

- A. Quantity:
- B. Material: H.R. Carbon Steel
- C. Inner Tank: 10 GA
- D. Outer Tank: 12 GA w/ 10 Ga. Common Top
- E. Design & Operating Pressure: Atmospheric.
- F. Design & Operating Temperature: Ambient.
- G. Tank to be Built & Labeled per U.L. Spec. #142.
- H. Tank to Bear Manufacturers & U.L. Labels Only.
- I. Tank to be Air Tested with Water & Soap Suds Solution.
- J. Interior: Remove Weld Slag (Ship Clean & Dry).
- K. Exterior: Gray primer included; see Sales Order for top coat.
- L. All Fittings to be Protected for Shipment.
- M. Customer has the Responsibility to Verify All Dimensions.

*All pages of this Schedule A are incorporated by reference and are a part of the additional terms of the Master Terms & Conditions of Sale.
www.newberrytanks.com/masterterms.pdf

APPROVAL FOR CONSTRUCTION
 SCHEDULE A - MASTER TERMS &
 CONDITIONS OF SALE*

APPROVED AS DRAWN.
 APPROVED WITH NOTED CHANGES,
 CONSTRUCTION WILL BE SCHEDULED
 WHEN SIGNED DRAWING AND
 CONFIRMED ORDER ARE RECEIVED.
 SIGNATURE _____
 DATE: _____

SALES ORDER #



860 Johnson Drive
 Delano, MN 55328
www.fluidall.com

VESSEL DESCRIPTION:

750 GALLON SLIM DOUBLE WALLED TANK

CUSTOMER:		P.O.#	
DATE:	SCALE:	DWG.# SDWSST750	DRAWN BY: TC CHKD. BY: TB