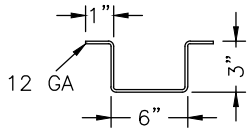
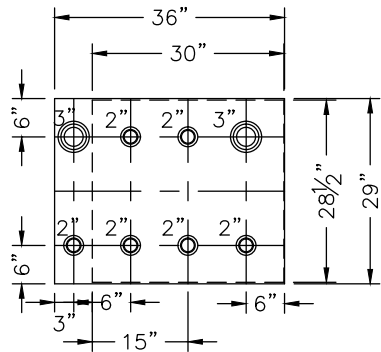


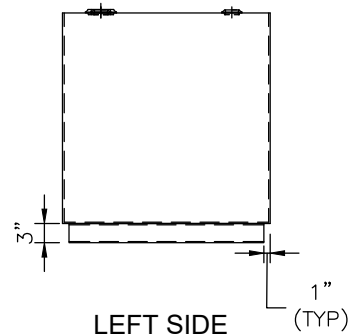
NOZZLE SCHEDULE							
ITEM	SIZE	RATING	TYPE	MATL	PROJ IN	PROJ OUT	REMARKS
A	3"	N.P.T.	W.F.	C.S.	STD.	STD.	EMERGENCY VENT OPENING
B	2"	N.P.T.	W.F.	C.S.	STD.	STD.	



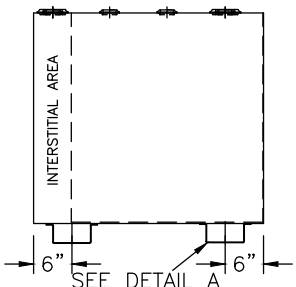
DETAIL A



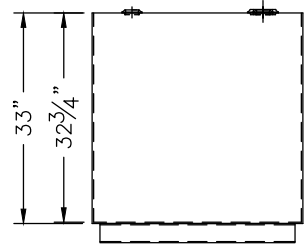
TOP VIEW



LEFT SIDE
(TYP)



FRONT VIEW



RIGHT SIDE

NOTES:

- A. Quantity;
- B. Material: H.R. Carbon Steel
- C. Inner/outer tanks: 12 GA. w/ 10 GA. Common Top
- D. Design & Operating Pressure: Atmospheric.
- E. Design & Operating Temperature: Ambient.
- F. Tank to be Built & Labeled per U.L. Spec. #142.
- G. Tank to Bear Manufacturers & U.L. Labels Only.
- H. Tank to be Air Tested with Water & Soap Suds Solution.
- I. Interior: Remove Weld Slag (Ship Clean & Dry).
- J. Exterior: Gray primer included; see Sales Order for top coat.
- K. All Fittings to be Protected for Shipment.
- L. Customer has the Responsibility to Verify All Dimensions.

*All pages of this Schedule A are incorporated by reference and are a part of the additional terms of the Master Terms & Conditions of Sale.
www.newberrytanks.com/masterterms.pdf

APPROVAL FOR CONSTRUCTION
SCHEDULE A - MASTER TERMS & CONDITIONS OF SALE*

APPROVED AS DRAWN.

APPROVED WITH NOTED CHANGES, CONSTRUCTION WILL BE SCHEDULED WHEN SIGNED DRAWING AND CONFIRMED ORDER ARE RECEIVED.

SIGNATURE _____
DATE: _____

SALES ORDER # _____

FLUIDALL 860 Johnson Drive
Delano, MN 55328
www.fluidall.com

VESSEL DESCRIPTION:
120 GALLON SLIM DOUBLE WALLED TANK

CUSTOMER: _____ P.O.# _____

DATE: _____ SCALE: _____ DWG.# SDWSST120 DRAWN BY: TC
CHKD. BY: TB