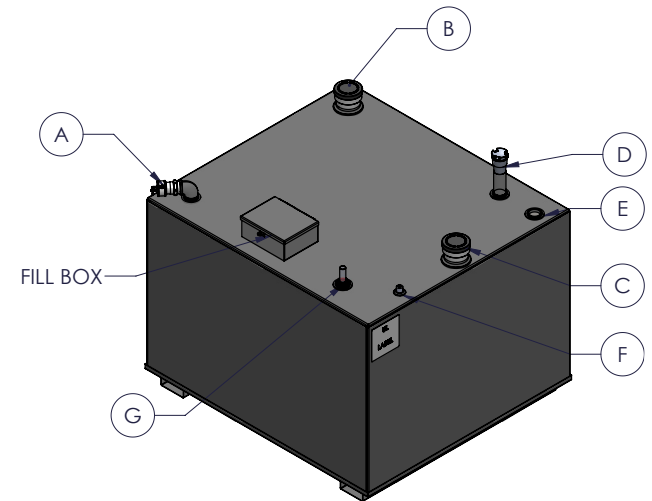
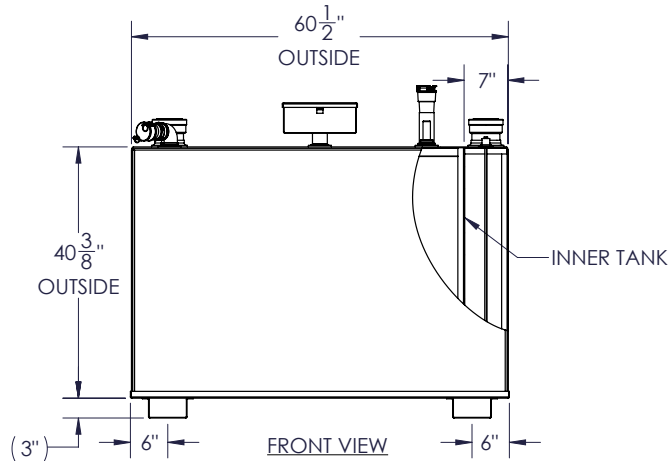
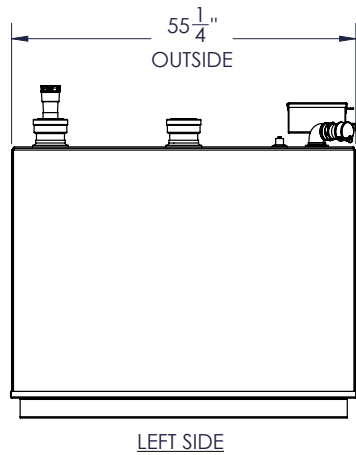


NOZZLE SCHEDULE						
ITEM	SIZE	RATING	TYPE	MATL.	REMARKS	NOTES
A	2"	N.P.T.	W.F.	C.S.	PRIMARY	SUCTION W/DROP TUBE
B	4"	N.P.T.	H. CPL.	C.S.	PRIMARY	EMERGENCY VENT
C	4"	N.P.T.	H. CPL.	C.S.	SECONDARY	EMERGENCY VENT
D	2"	N.P.T.	W.F.	C.S.	PRIMARY	UPDRAFT VENT
E	2"	N.P.T.	W.F.	C.S.	SECONDARY	THREAD PROTECTOR
F	1"	N.P.T.	W.F.	C.S.	SECONDARY	DIPSTICK
G	2"	N.P.T.	W.F.	C.S.	PRIMARY	AT-A-GLANCE GAUGE



- NOTES:
- QUANTITY:
 - MATERIAL: H.R. CARBON STEEL
 - INNER TANK/OUTER TANKS: 12 GA. W/10 GA. COMMON TOP.
 - DESIGN & OPERATING PRESSURE: ATMOSPHERIC.
 - DESIGN & OPERATING TEMPERATURE: AMBIENT.
 - TANK TO BE BUILT & LABELED PER U.L. SPEC. #142.
 - TANK TO BEAR MANUFACTURERS & U.L. LABELS ONLY.
 - TANK TO BE AIR TESTED WITH WATER & SOAP SUDS SOLUTION.
 - INTERIOR: REMOVE WELD SLAG (SHIP CLEAN & DRY).
 - EXTERIOR: GRAY PRIMER INCLUDED; SEE SALES ORDER FOR TOP COAT.
 - ALL FITTINGS TO BE PROTECTED FOR SHIPMENT.
 - CUSTOMER HAS THE RESPONSIBILITY TO VERIFY ALL DIMENSIONS.

TITLE: SDFTDW500

DESCRIPTION:
500 GALLON RECTANGULAR UL-142 DOUBLE WALLED WASTE OIL TANK

DRAWN: SK

DATE: 11/02/20

REV: 1

SCALE: N/A

PROPRIETARY INFORMATION

THE INFORMATION ON THIS DOCUMENT IS THE PROPERTY OF FLUIDALL, LLC. DOCUMENT IS SUBJECT TO RETURN UPON DEMAND AND MAY NOT BE REPRODUCED OR DISCLOSED WITHOUT THE WRITTEN PERMISSION OF FLUIDALL, LLC.



860 Johnson Drive
Delano, MN 55328
www.fluidall.com