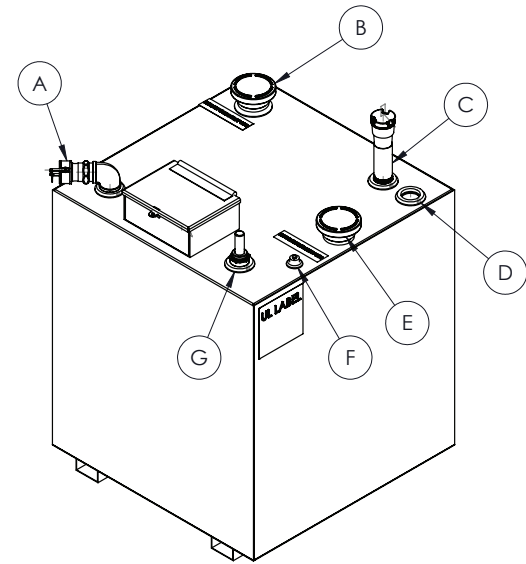
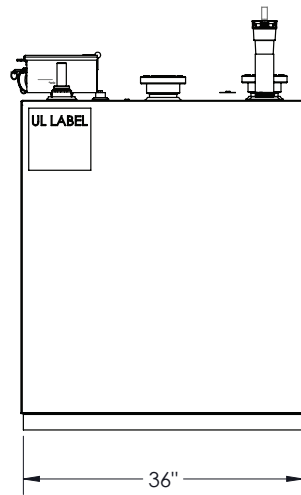


ITEM	SIZE	RATING	TYPE	MATL	REMARKS	NOTES
A	2"	N.P.T.	W.F.	C.S.	PRIMARY	SUCTION
B	3"	N.P.T.	W.F.	C.S.	PRIMARY	EMERGENCY VENT
C	2"	N.P.T.	W.F.	C.S.	PRIMARY	UPDRAFT VENT
D	2"	N.P.T.	W.F.	C.S.	SECONDARY	THREAD PROTECTOR
E	3"	N.P.T.	W.F.	C.S.	SECONDARY	EMERGENCY VENT
F	1"	N.P.T.	W.F.	C.S.	SECONDARY	DIPSTICK
G	2"	N.P.T.	W.F.	C.S.	PRIMARY	40" AT-A-GLANCE GAUGE



- NOTES:  
 A. Quantity:  
 B. Material: H.R. Carbon Steel.  
 C. Design Pressure: Atmospheric.  
 D. Design Temperature: Ambient.  
 E. Built & labeled per U.L. spec. #142.  
 F. Exterior: Gray primer included; see Sales Order for top coat.  
 G. All fittings to be protected for shipment.  
 H. Customer to verify nozzle sizes, locations and quantities.  
 I. Saddles/skids may require shimming or grouting during installation.

**TITLE:** SDFTDW200

**DESCRIPTION:**  
 200 GALLON RECTANGULAR UL-142 DOUBLE WALLED WASTE OIL TANK

**DRAWN:** SK

**DATE:** 07/18/16

**REV:** 1

**SCALE:** N/A

**PROPRIETARY INFORMATION**

THE INFORMATION ON THIS DOCUMENT IS THE PROPERTY OF FLUIDALL, LLC. DOCUMENT IS SUBJECT TO RETURN UPON DEMAND AND MAY NOT BE REPRODUCED OR DISCLOSED WITHOUT THE WRITTEN PERMISSION OF FLUIDALL, LLC.



860 Johnson Drive  
 Delano, MN 55328  
 www.fluidall.com