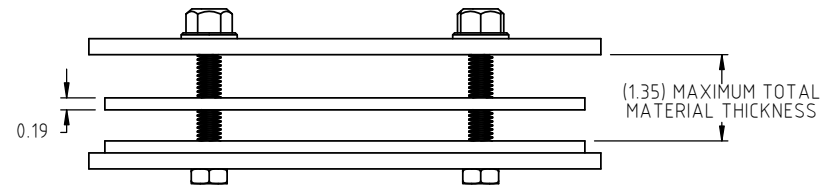
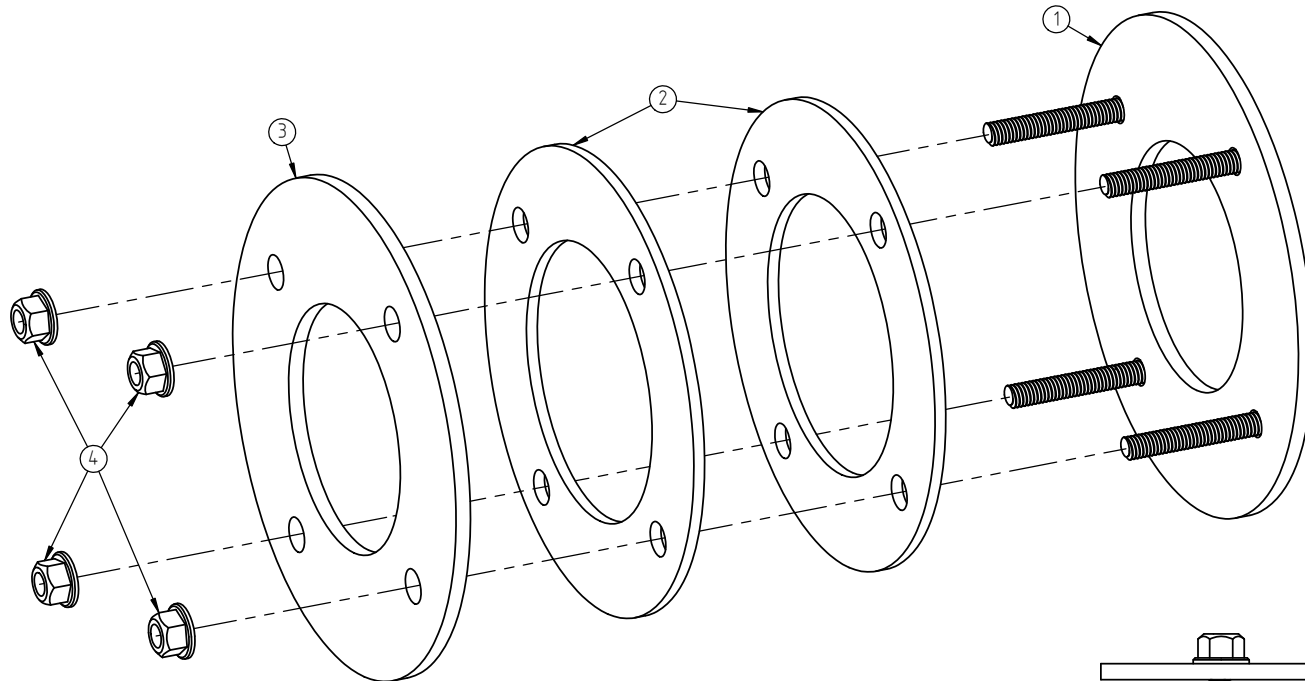

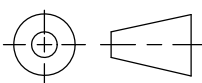
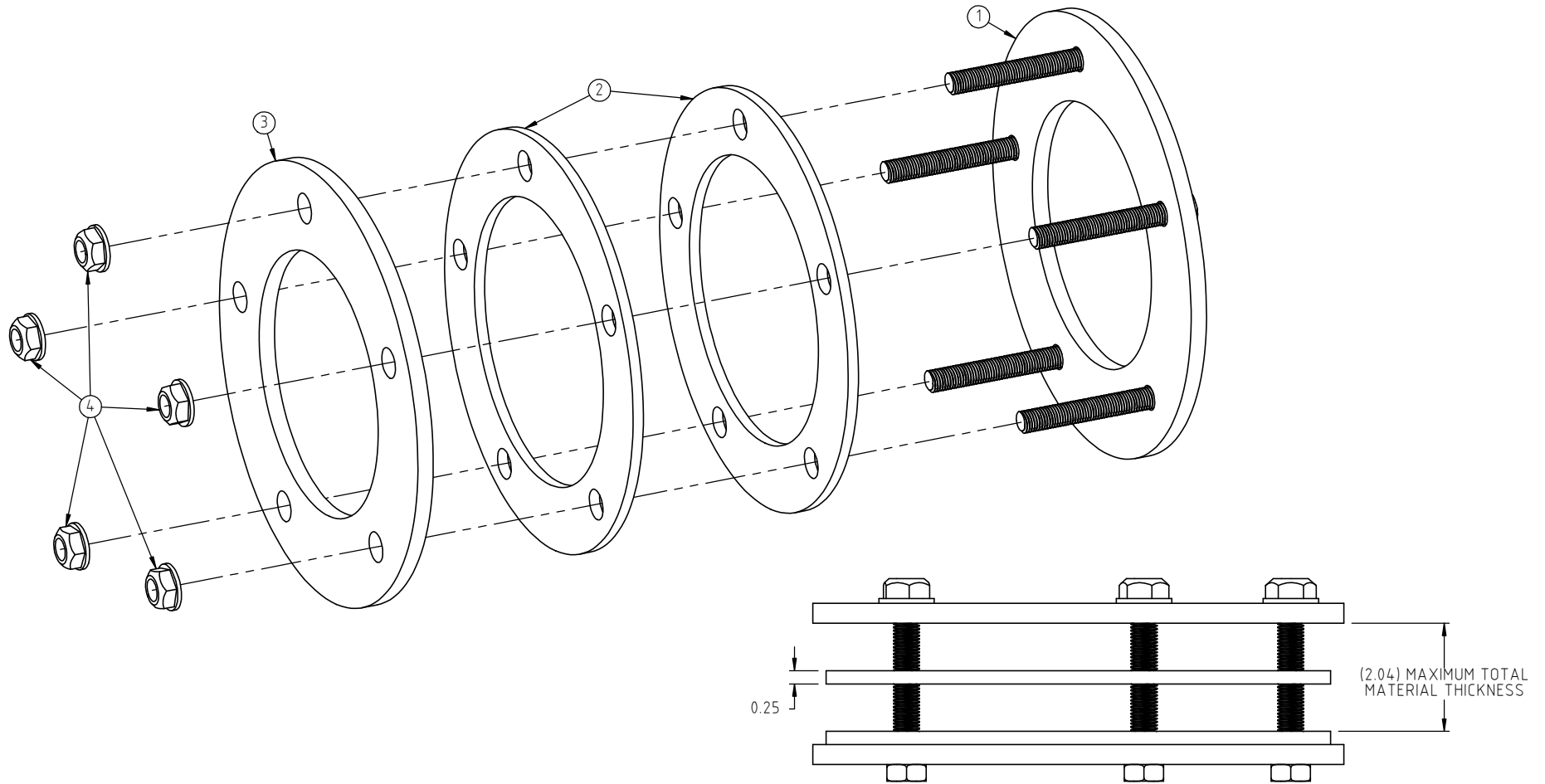


KEY	PART NUMBER	DESCRIPTION	QTY
1	19558	1" FITTING RING WELDMENT	1
2	19556	1" FITTING GASKET	2
3	19560	1.50" FITTING RING	1
4	19562	NUT, 0.38" SS	4



				DRAWN / DATE ADH 9/26/14	MATERIAL SEE COMPONENTS	 860 Johnson Drive Delano, MN 55328 www.fluidall.com
				APPRD. / DATE REH 8/4/15		
REV	DESCRIPTION	BY / DATE	CCN			
ALL DIMENSIONS ARE IN DECIMAL INCHES TOLERANCES UNLESS OTHERWISE SPECIFIED POLYETHYLENE		THIRD ANGLE PROJECTION ANSI 14.5M		SHOT WEIGHT:	NOTES: 1.) PATENT PENDING	DESCRIPTION 1" DUAL LINE™ TANK FITTING RING ASSEMBLY
$\pm 1\%$ @ 68°F				SHIPPING WEIGHT:		SCALE N.S.
METAL DECIMAL $\pm .125"$ FRACTION $\pm 1/4"$ ANGLE $\pm 1^\circ$				FINISH: NONE		

KEY	PART NUMBER	DESCRIPTION	QTY.
1	19564	2" FITTING RING WELDMENT	1
2	19555	2" FITTING GASKET	2
3	19566	2" FITTING RING	1
4	19568	NUT, 1/2" SS	5



				DRAWN / DATE ADH 9/26/14	MATERIAL SEE COMPONENTS
				APPRD. / DATE REH 10/29/14	
REV	DESCRIPTION	BY / DATE	CCN		
ALL DIMENSIONS ARE IN DECIMAL INCHES TOLERANCES UNLESS OTHERWISE SPECIFIED		THIRD ANGLE PROJECTION ANSI 14.5M		SHOT WEIGHT:	NOTES: 1.) PATENT PENDING
POLYETHYLENE		METAL DECIMAL $\pm .125"$ FRACTION $\pm 1/4"$ ANGLE $\pm 1^\circ$		SHIPPING WEIGHT:	
$\pm 1\%$ @ 68°F				FINISH: NONE	

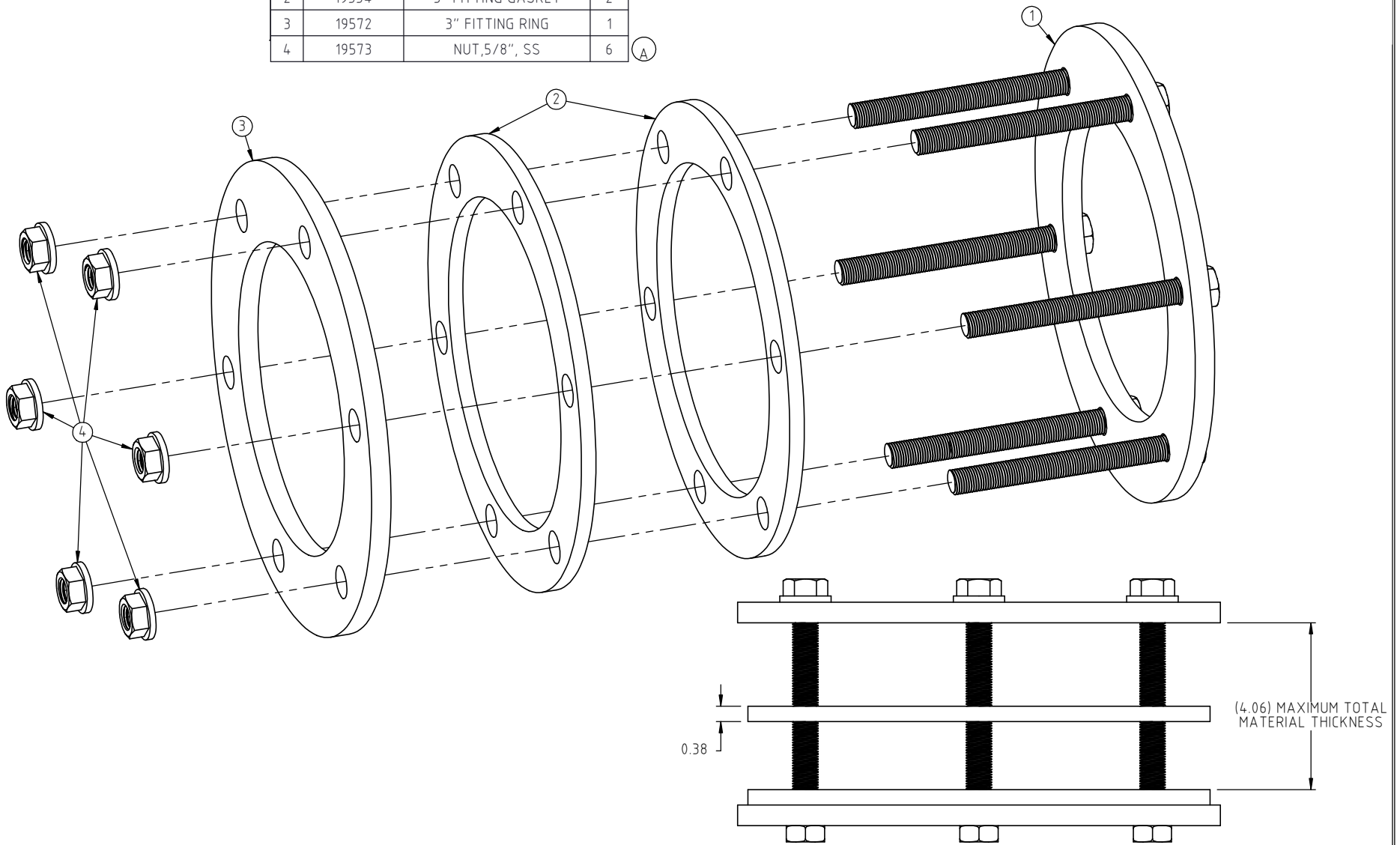


860 Johnson Drive
Delano, MN 55328
www.fluidall.com

DESCRIPTION 2" DUAL LINE™ TANK FITTING RING ASSEMBLY	
SCALE N.S.	PART NO. OPTIONAL TANK FITTINGS

KEY	PART NUMBER	DESCRIPTION	QTY.
1	19570	3" FITTING RING WELDMENT	1
2	19554	3" FITTING GASKET	2
3	19572	3" FITTING RING	1
4	19573	NUT, 5/8", SS	6

(A)



				DRAWN / DATE ADH 9/26/14	MATERIAL SEE COMPONENTS
A	19573 DESCRIPTION CORRECTED	ADH 5/2/16	3247	APPRD. / DATE REH 11/14/14	NOTES: 1.) PATENT 9,162,816
REV	DESCRIPTION	BY / DATE	CCN		
ALL DIMENSIONS ARE IN DECIMAL INCHES TOLERANCES UNLESS OTHERWISE SPECIFIED		THIRD ANGLE PROJECTION ANSI 14.5M		SHOT WEIGHT:	
POLYETHYLENE		METAL DECIMAL ± .125" FRACTION ± 1/4" ANGLE ± 1°		SHIPPING WEIGHT: XXXX	
±1% @ 68°F				FINISH: NONE	

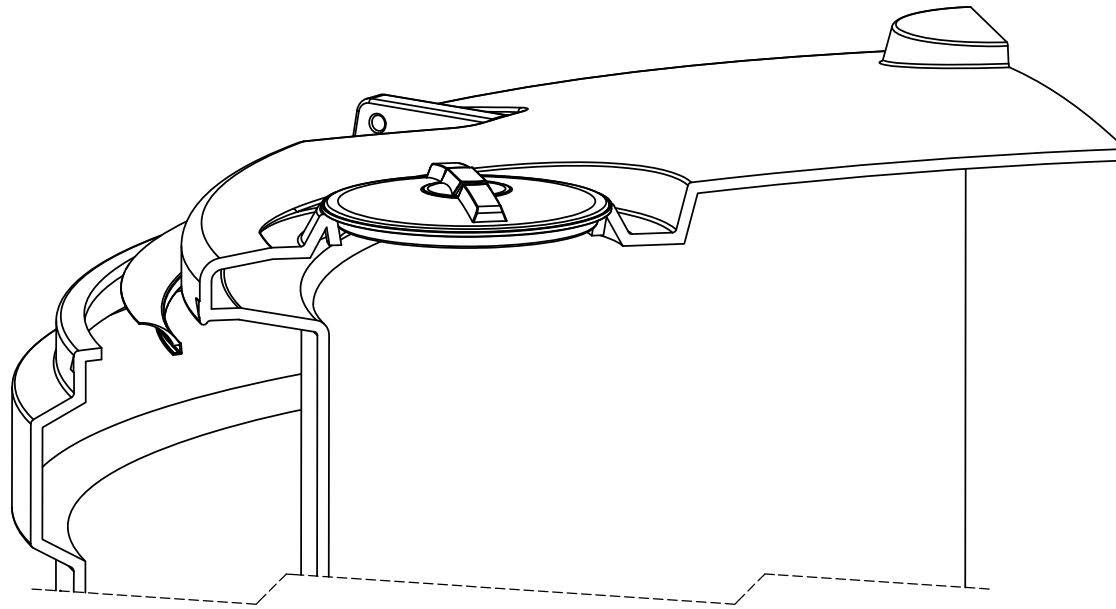


860 Johnson Drive
Delano, MN 55328
www.fluidall.com

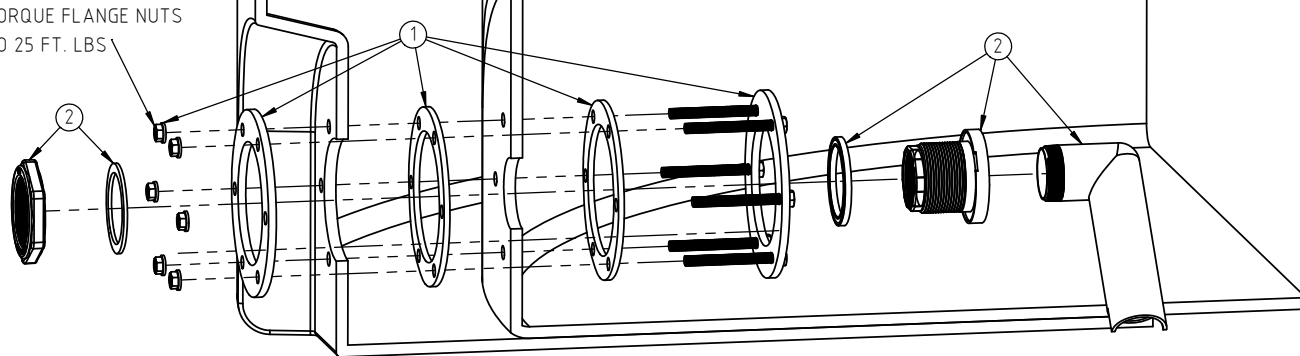
DESCRIPTION 3" DUAL LINE™ TANK FITTING RING ASSEMBLY

SCALE N.S. PART NO. OPTIONAL TANK FITTINGS

KEY	PART NUMBER	DESCRIPTION	QTY.
1	19569	3" DOUBLE WALL RING ASSEMBLY	1
2	13811	BULKHEAD, 3" FITTING	1



TORQUE FLANGE NUTS
TO 25 FT. LBS



				DRAWN / DATE ADH 10/16/13	MATERIAL
				APPRD. / DATE REH 9/22/15	
REV	DESCRIPTION	BY / DATE	CCN	SHOT WEIGHT:	NOTES:
	ALL DIMENSIONS ARE IN DECIMAL INCHES TOLERANCES UNLESS OTHERWISE SPECIFIED			SHIPPING WEIGHT:	1.) PATENT PENDING
	POLYETHYLENE ±1% @ 68°F	THIRD ANGLE PROJECTION ANSI 14.5M		FINISH:	
	METAL DECIMAL ± .125" FRACTION ± 1/4" ANGLE ± 1°				



860 Johnson Drive
Delano, MN 55328
www.fluidall.com

DESCRIPTION		3" FITTING ASSEMBLY INSTALLATION	
SCALE	N.S.	PART NO.	OPTIONAL TANK FITTINGS