

500 GALLON

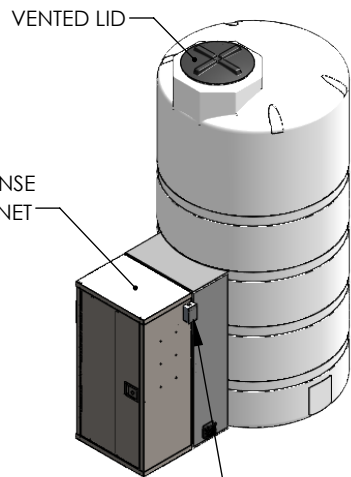
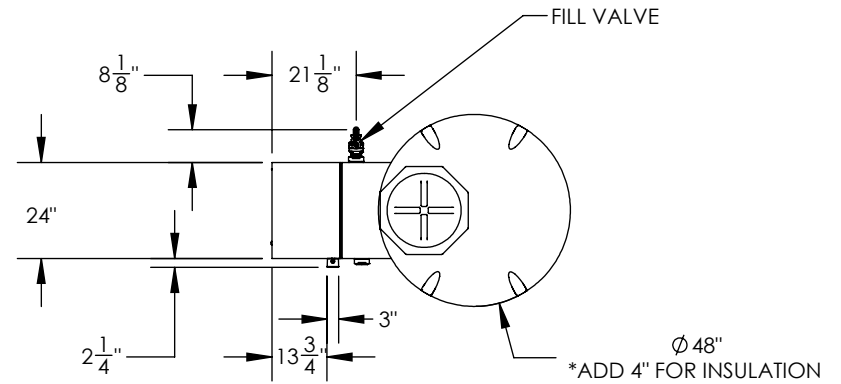
750 GALLON

850 GALLON

1050 GALLON

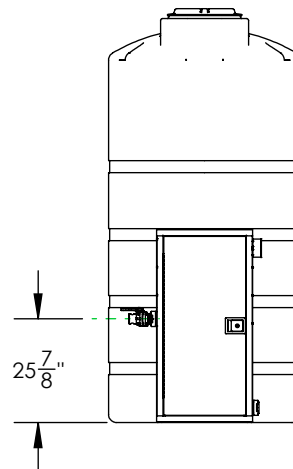
**\*NOTICE:**

TANK DIMENSIONS WILL CHANGE WHEN INSULATED.

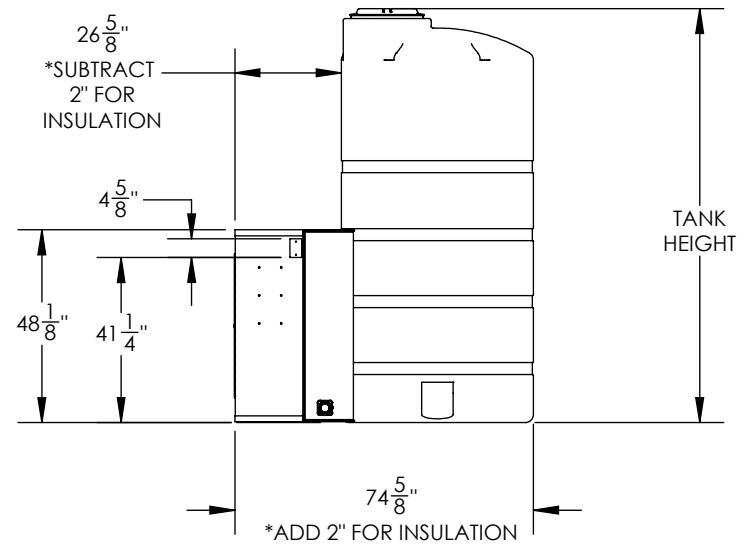


DISPENSE CABINET

JUNCTION-BOX FOR POWER SUPPLY



25 7/8"



26 5/8"  
\*SUBTRACT 2" FOR INSULATION

48 1/8"

41 1/4"

74 5/8"  
\*ADD 2" FOR INSULATION

TANK HEIGHT



860 Johnson Drive  
Delano MN , 55328  
www.fluidall.com

TANK CAPACITY IN GALLONS	TANK HEIGHT
500	73"
750	103 1/2"
850	118"
1050	132 1/2"

PROJECT				NORTHERN EASYTANK	
DWG.			48" DIAMETER TANK FAMILY		REV
DWG. NO.			DRAWN	REV DATE	2
SCALE			SIZE	SHEET	
1:48			A	1 OF 1	