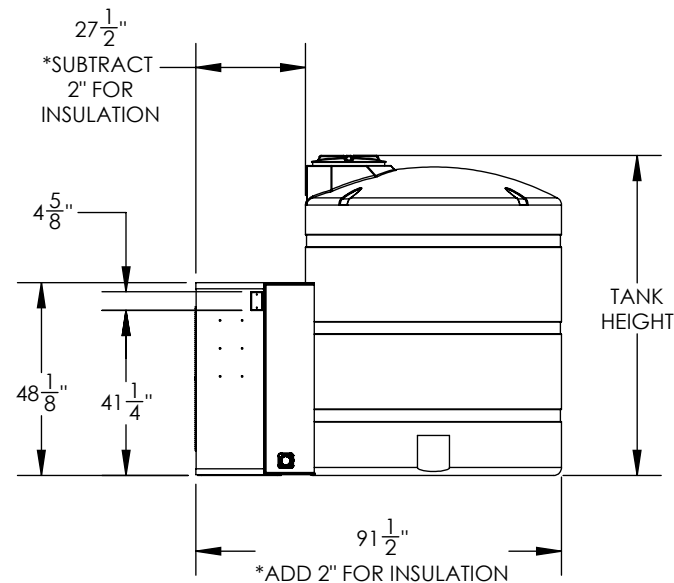
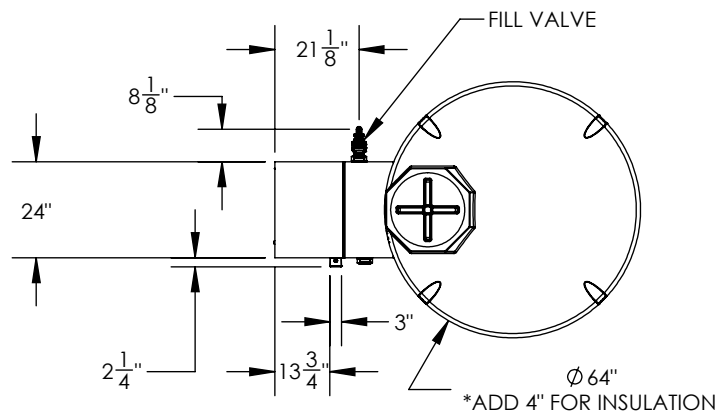
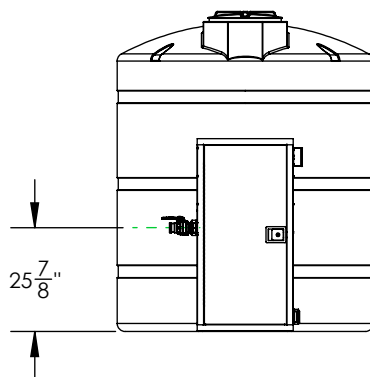
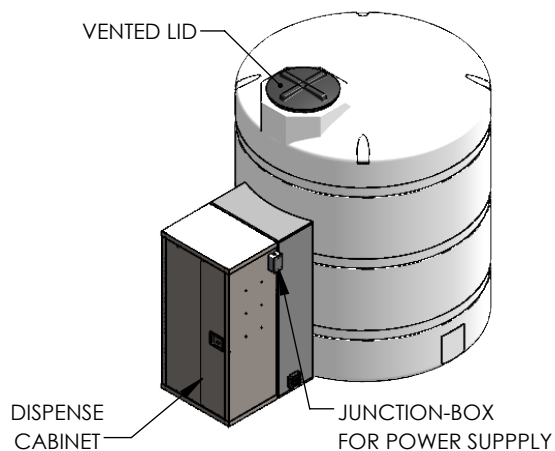


1000 GALLON

1500 GALLON

2000 GALLON

***NOTICE:**
TANK DIMENSIONS WILL CHANGE WHEN INSULATED.



860 Johnson Drive
Delano MN , 55328
www.fluidall.com

| TANK CAPACITY IN GALLONS | TANK HEIGHT |
|--------------------------|-------------|
| 1000 | 80" |
| 1500 | 116" |
| 2000 | 155 1/2" |

| | | | | | |
|--------------------------|------|--------|-------------|-------------------|-----|
| PROJECT | | | | NORTHERN EASYTANK | |
| DWG. | | | | | REV |
| 64" DIAMETER TANK FAMILY | | | | | 2 |
| DWG. NO. | | DRAWN | REV DATE | | |
| - | | PA | 11 FEB 2020 | | |
| SCALE | SIZE | SHEET | | | |
| 1:48 | A | 1 OF 1 | | | |