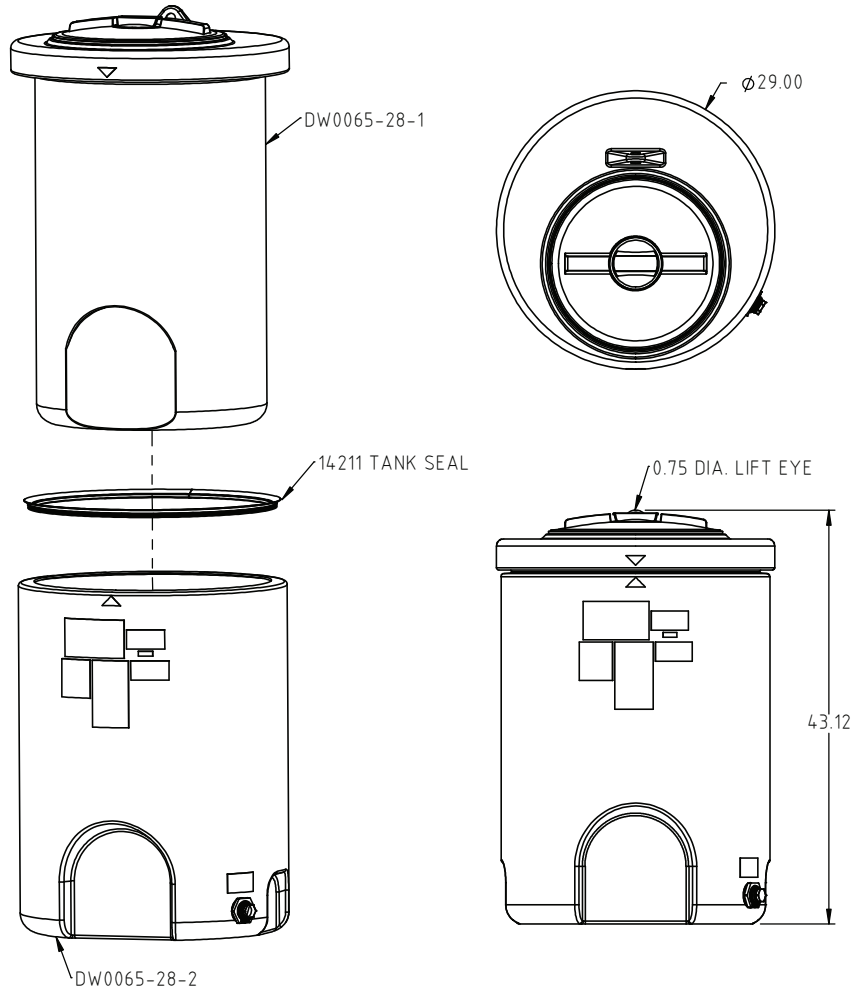
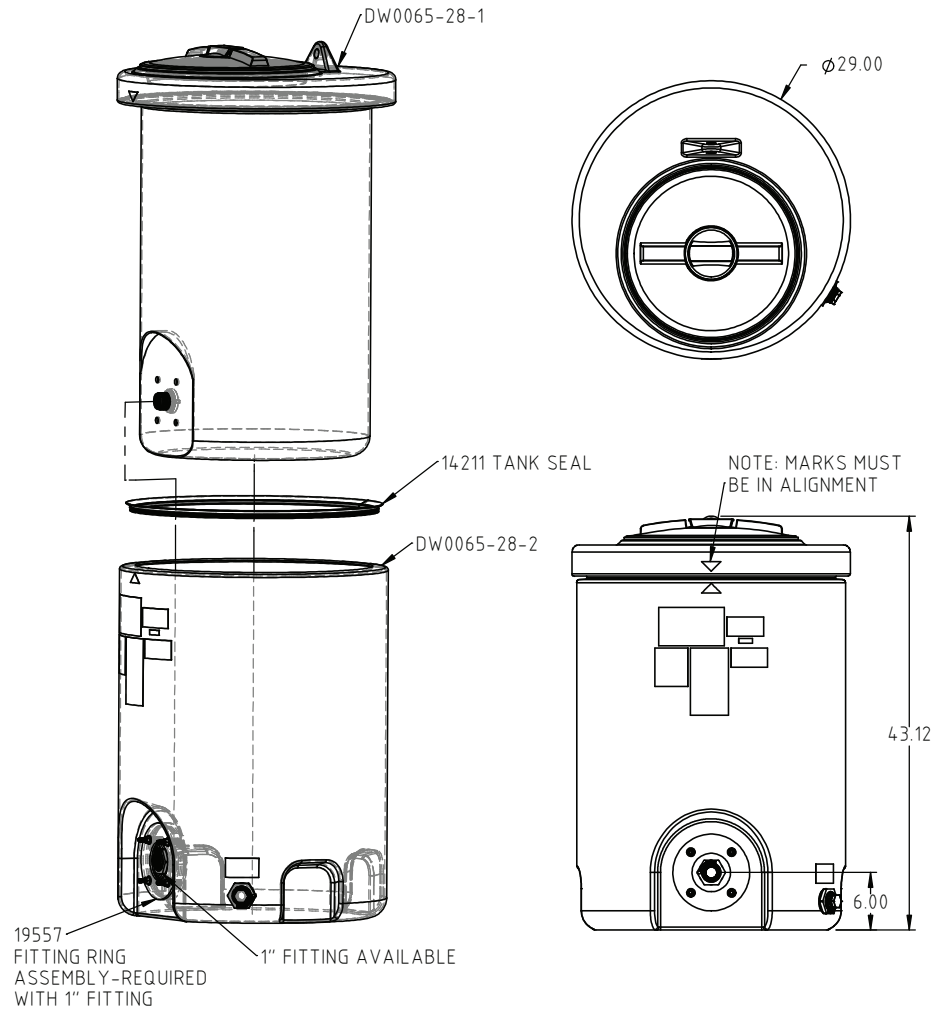



STANDARD TANK ASSEMBLY



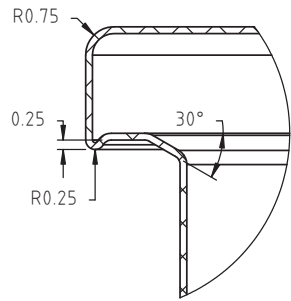
TANK ASSEMBLY WITH
OPTIONAL 1" FITTING

CDW65A

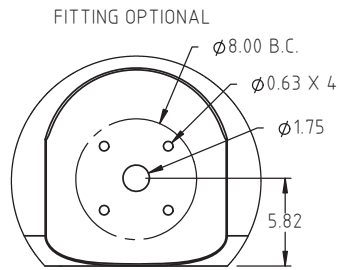
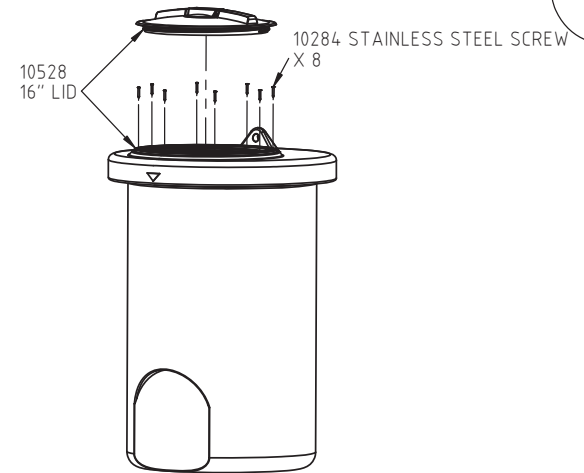
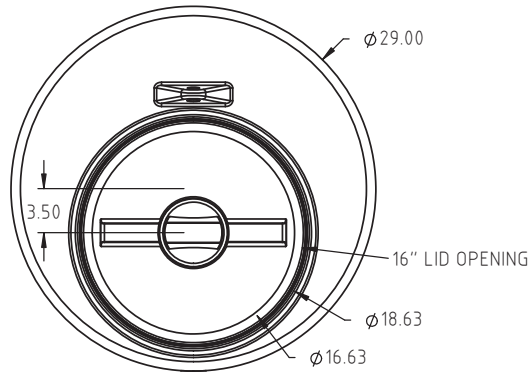


		DRAWN / DATE ADH 8/27/14		MATERIAL SEE NOTE 1		 <p>860 Johnson Drive Delano, MN 55328 www.fluidall.com</p>	
		APPRD. / DATE REH 10/20/14					
REV	DESCRIPTION	BY / DATE	CCN	SHOT WEIGHT:		DESCRIPTION 65 GALLON DUAL LINE™ TANK ASSEMBLY	
ALL DIMENSIONS ARE IN DECIMAL INCHES TOLERANCES UNLESS OTHERWISE SPECIFIED		THIRD ANGLE PROJECTION ANSI 14.5M		SHIPPING WEIGHT: STANDARD = 50 LBS.		NOTES: 1.) REFERENCE COMPONENT PRINTS FOR DETAILS	
POLYETHYLENE ±1% @ 68°F		METAL DECIMAL ± .125" FRACTION ± 1/4" ANGLE ± 1°		FINISH:		SCALE N.S.	
						PART NO. CDW65A	

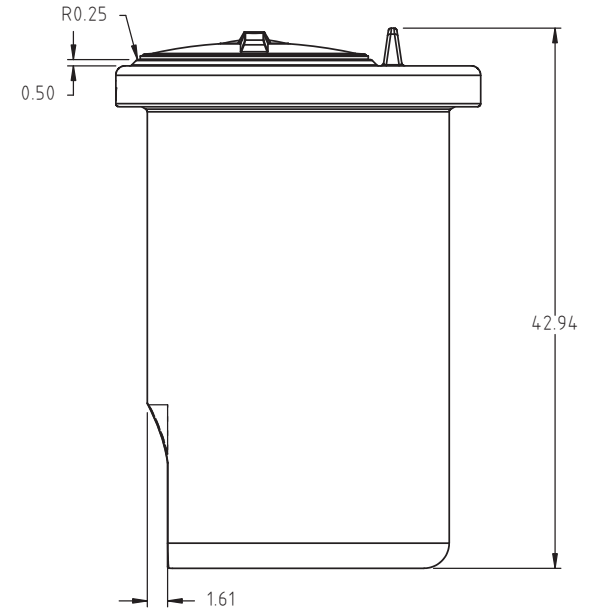
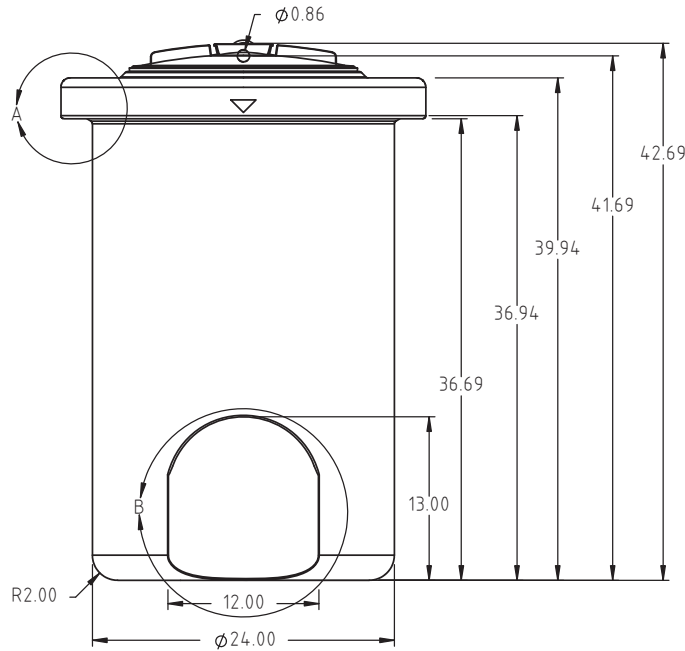
CDW65A



DETAIL A
SCALE 1:5



DETAIL B
SCALE 2:25

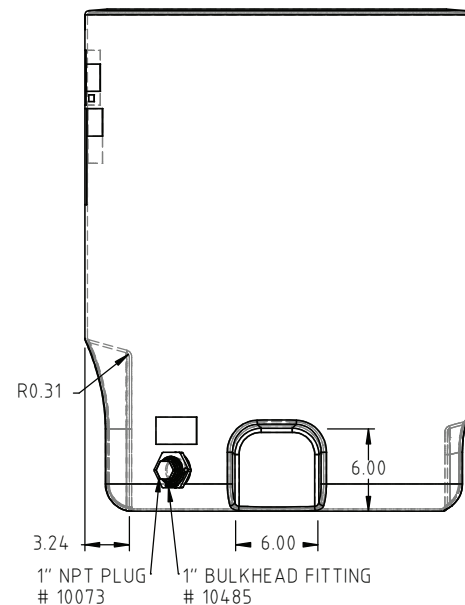
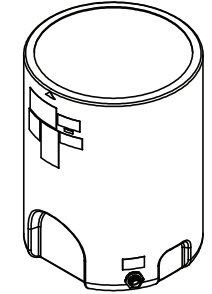
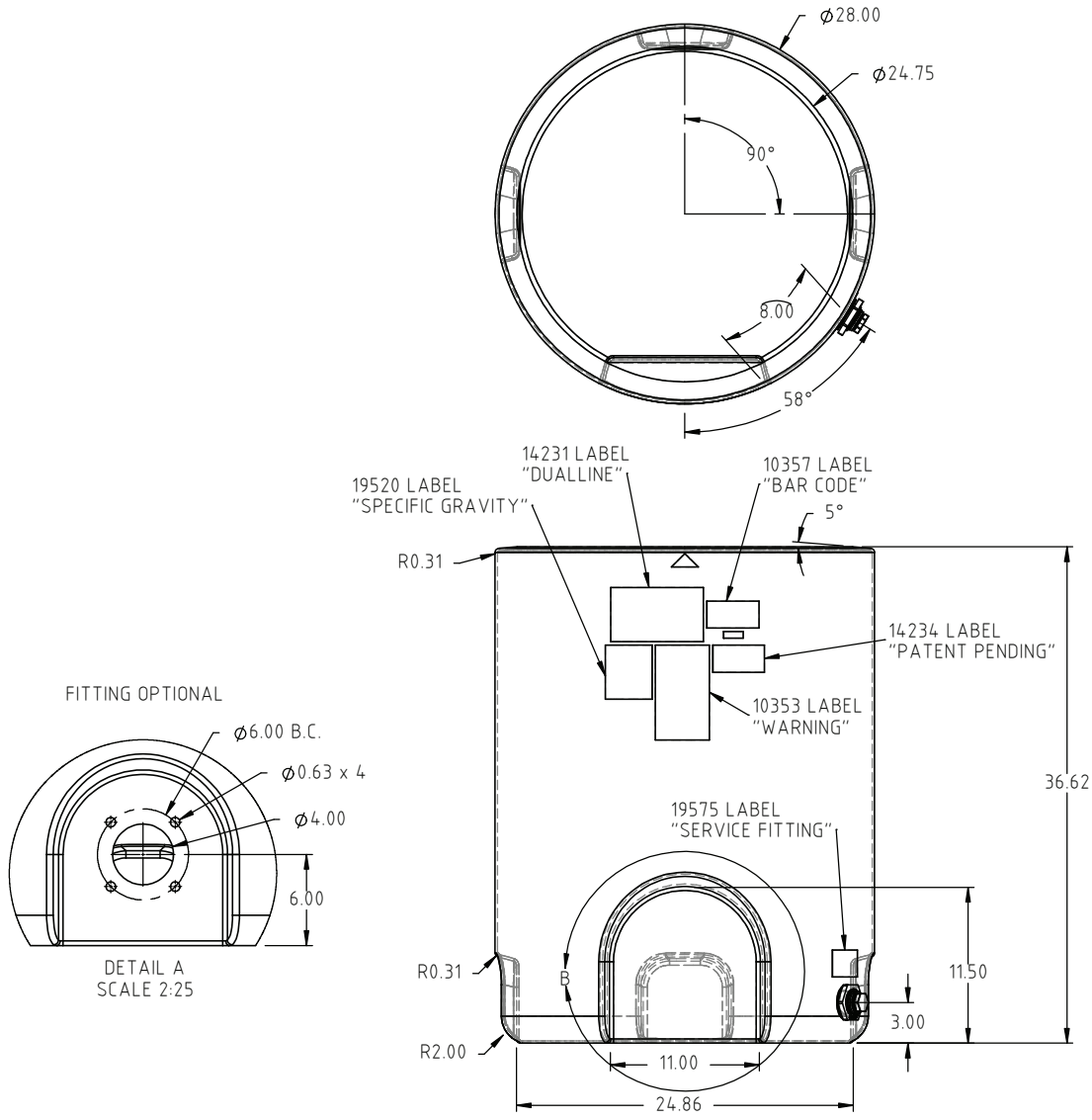


				DRAWN / DATE ADH 8/26/14	MATERIAL 10420
				APPRD. / DATE REH 10/20/14	
REV	DESCRIPTION	BY / DATE	CCN		
ALL DIMENSIONS ARE IN DECIMAL INCHES TOLERANCES UNLESS OTHERWISE SPECIFIED				SHOT WEIGHT: 26 LBS.	NOTES: 1.) 0.180 NOM. WALL THICKNESS 2.) PATENT PENDING
POLYETHYLENE				SHIPPING WEIGHT:	
±1% @ 68°F				FINISH:	
THIRD ANGLE PROJECTION ANSI 14.5M					
METAL DECIMAL ± .125" FRACTION ± 1/4" ANGLE ± 1°					



860 Johnson Drive
Delano, MN 55328
www.fluidall.com

DESCRIPTION 65 GALLON DUAL LINE™ TANK-INNER TANK	
SCALE N.S.	PART NO. CDW65A



				DRAWN / DATE ADH 2/19/14	MATERIAL 10420
				APPRD. / DATE REH 10/20/14	
REV	DESCRIPTION	BY / DATE	CCN		
ALL DIMENSIONS ARE IN DECIMAL INCHES TOLERANCES UNLESS OTHERWISE SPECIFIED		THIRD ANGLE PROJECTION ANSI 14.5M		SHOT WEIGHT: 27 LBS.	NOTES: 1.) 0.180 NOM. WALL THICKNESS 2.) PATENT PENDING
POLYETHYLENE		METAL DECIMAL ± .125" FRACTION ± 1/4" ANGLE ± 1°		SHIPPING WEIGHT: 24 LBS.	
±1% @ 68°F				FINISH:	

860 Johnson Drive
Delano, MN 55328
www.fluidall.com

DESCRIPTION		65 GALLON DUAL LINE™ TANK- OUTER TANK	
SCALE	N.S.	PART NO.	CDW65A