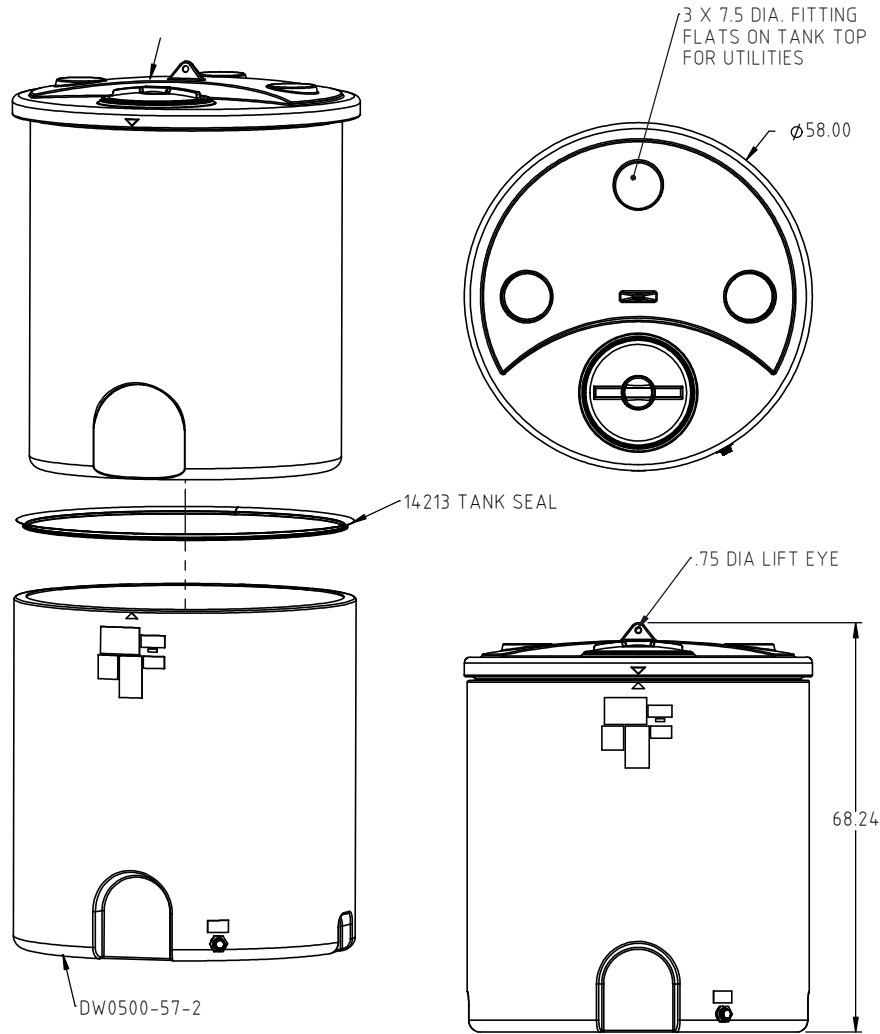
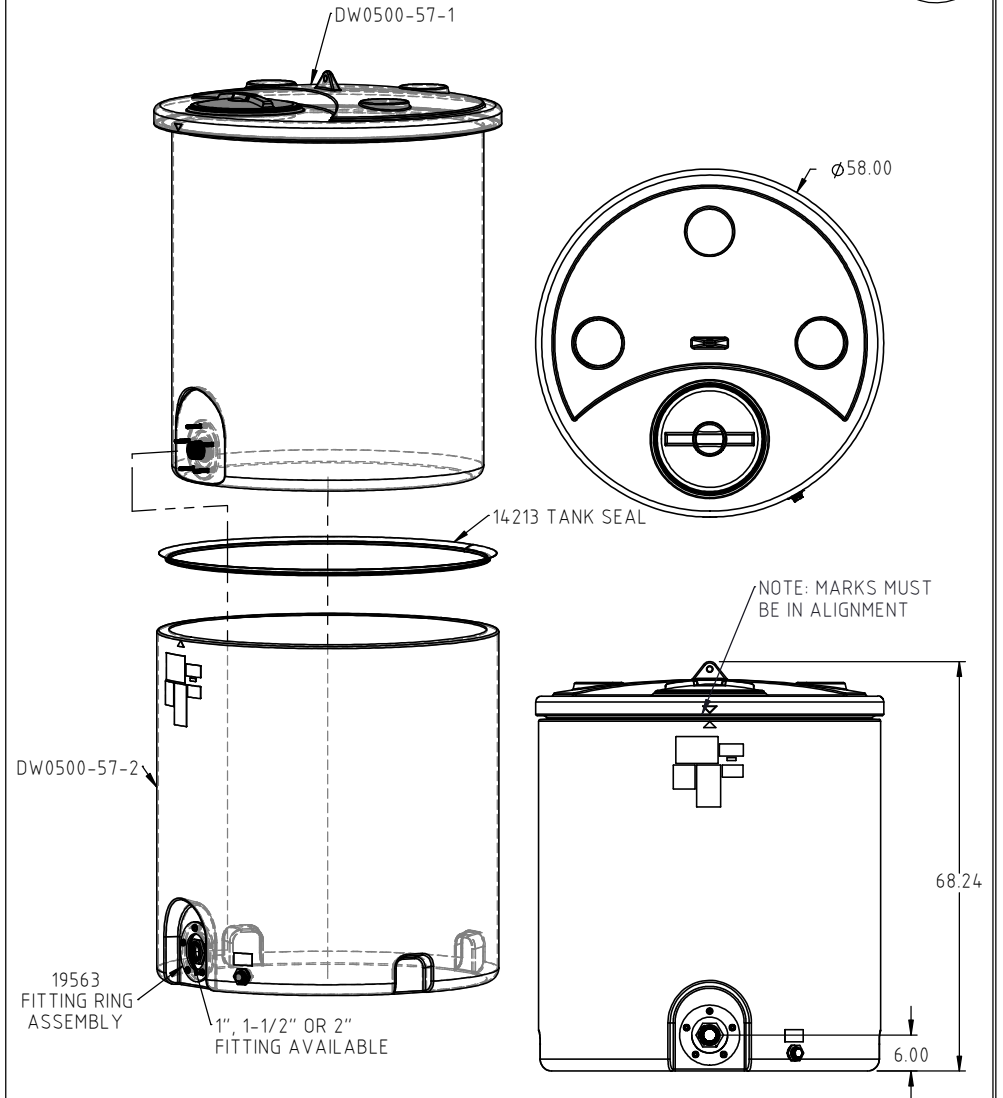


STANDARD TANK ASSEMBLY



TANK ASSEMBLY WITH OPTIONAL 2" FITTING

CDW500A



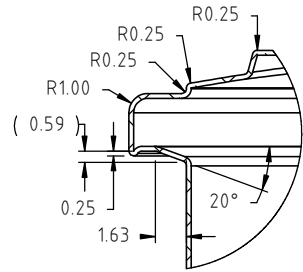
REV	DESCRIPTION	BY / DATE	CCN	DRAWN / DATE ADH 7/14/14	MATERIAL SEE NOTE 1
				APPROD. / DATE REH 10/16/14	
ALL DIMENSIONS ARE IN DECIMAL INCHES TOLERANCES UNLESS OTHERWISE SPECIFIED		THIRD ANGLE PROJECTION ANSI 14.5M		SHOT WEIGHT:	NOTES: 1.) REFERENCE COMPONENT PRINTS FOR DETAILS 2.) PATENT PENDING
POLYETHYLENE ±1% @ 68°F	METAL DECIMAL ± .125" FRACTION ± 1/4" ANGLE ± 1°			SHIPPING WEIGHT: STANDARD =264 LBS.	



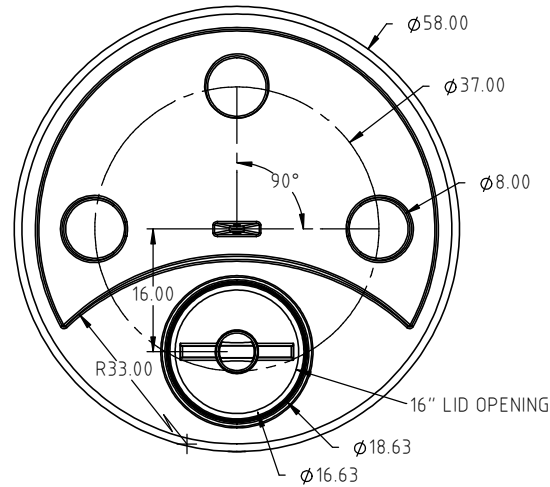
860 Johnson Drive
Delano, MN 55328
www.fluidall.com

DESCRIPTION 500 GALLON DUAL LINE™ TANK ASSEMBLY	
SCALE N.S.	PART NO. CDW500A

CDW500A

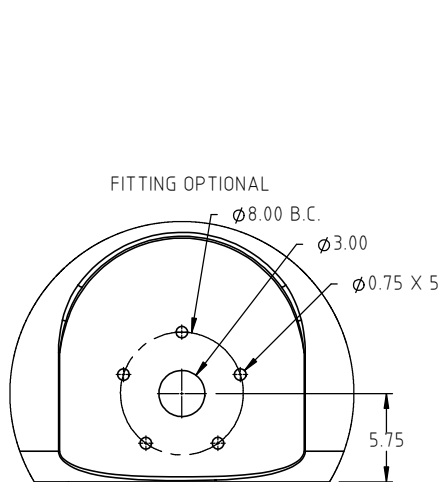
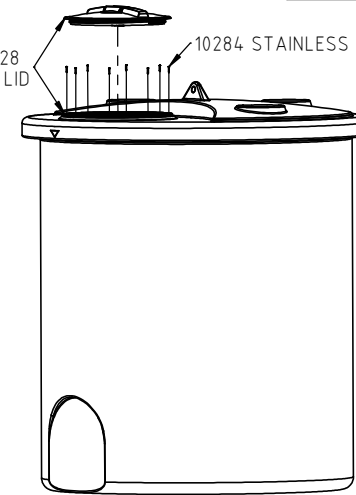


DETAIL A
SCALE 1:10

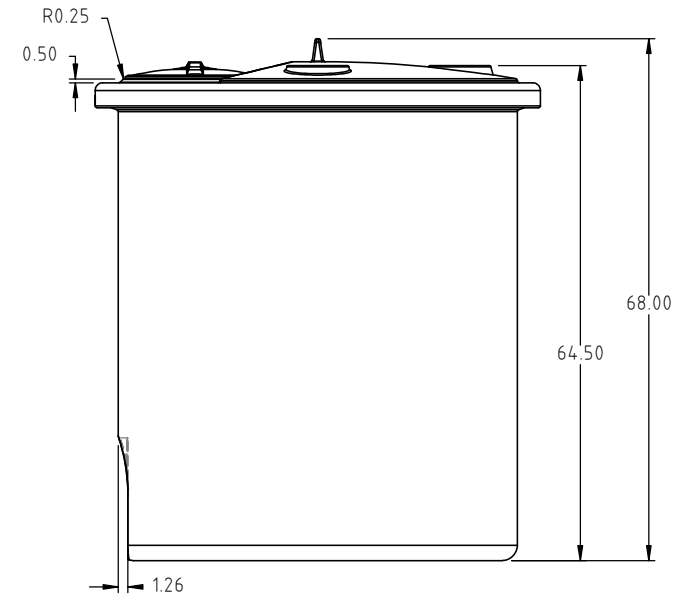
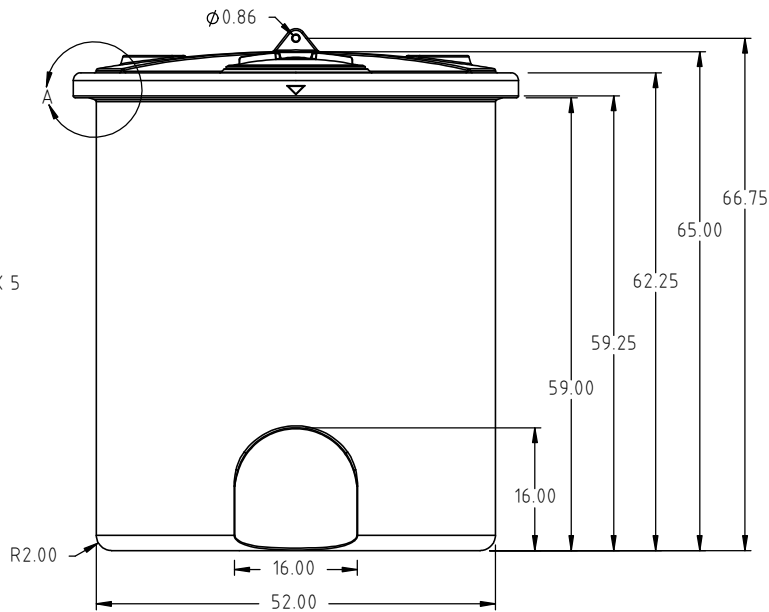


10528
16" LID

10284 STAINLESS STEEL SCREW



DETAIL B
SCALE 2:25



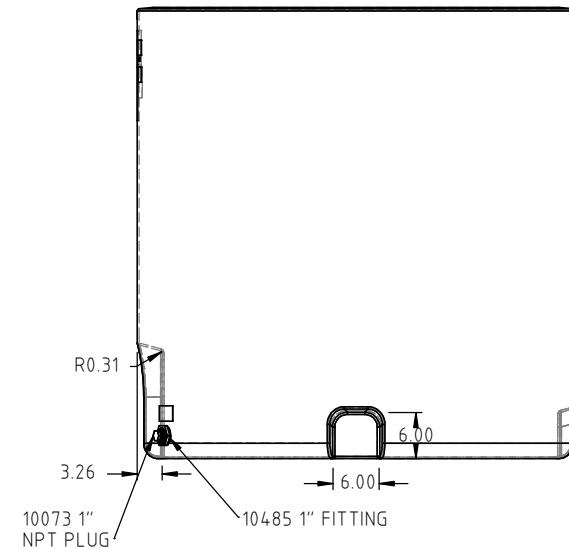
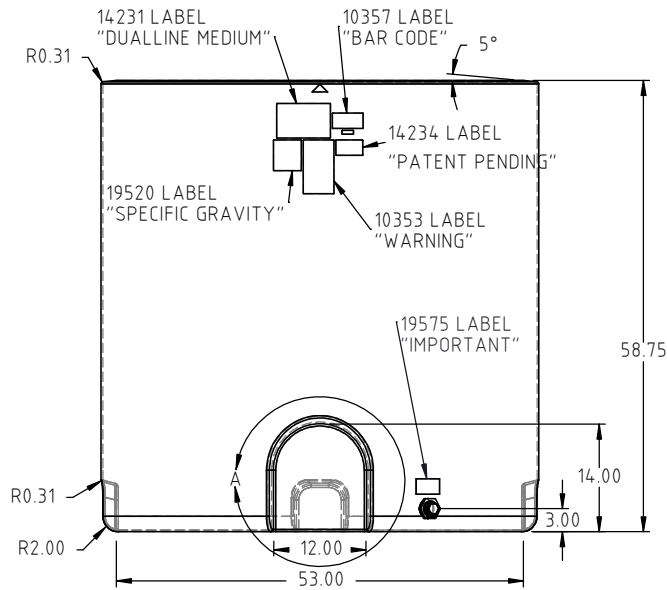
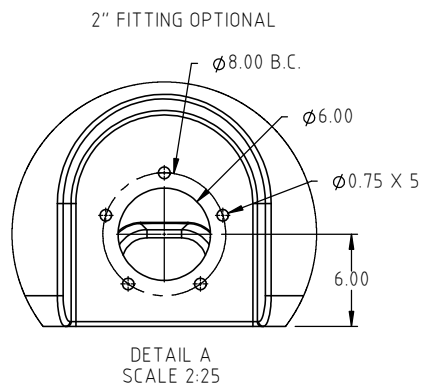
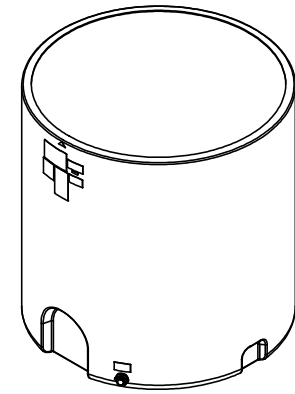
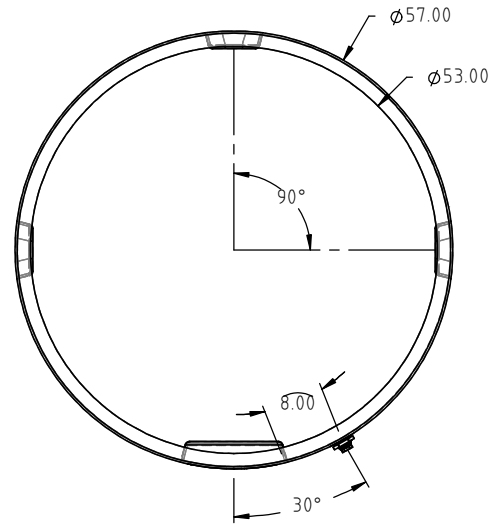
				DRAWN / DATE ADH 2/19/14	MATERIAL 10420
				APPROD. / DATE REH 6/1/14	
REV	DESCRIPTION	BY / DATE	CCN	SHOT WEIGHT: 130 LBS.	NOTES:
				SHIPPING WEIGHT:	1.) 0.250 NOM. WALL THICKNESS
				FINISH:	2.) PATENT PENDING
ALL DIMENSIONS ARE IN DECIMAL INCHES TOLERANCES UNLESS OTHERWISE SPECIFIED		THIRD ANGLE PROJECTION ANSI 14.5M			
POLYETHYLENE		METAL DECIMAL ± .125" FRACTION ± 1/4" ANGLE ± 1°			
±1% @ 68°F					



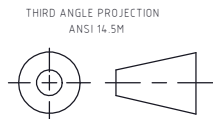
860 Johnson Drive
Delano, MN 55328
www.fluidall.com

DESCRIPTION 500 GALLON DUAL LINE™ TANK-INNER TANK	
SCALE N.S.	PART NO. CDW500A

CDW500A



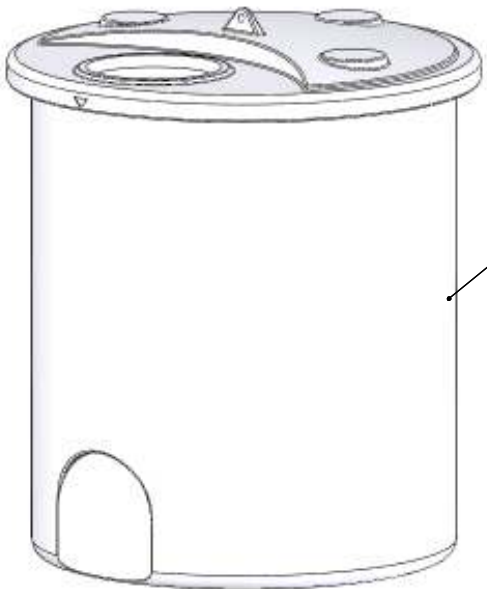
				DRAWN / DATE ADH 10/16/12	MATERIAL 10420
				APPRD. / DATE REH 6/1/14	
REV	DESCRIPTION	BY / DATE	CCN		
	ALL DIMENSIONS ARE IN DECIMAL INCHES TOLERANCES UNLESS OTHERWISE SPECIFIED			SHOT WEIGHT: 127 LBS.	NOTES: 1.) 0.240 NOM. WALL THICKNESS 2.) PATENT PENDING
	POLYETHYLENE			SHIPPING WEIGHT: 109 LBS.	
	METAL DECIMAL ± .125" FRACTION ± 1/4" ANGLE ± 1°			FINISH:	
	±1% @ 68°F				



860 Johnson Drive
Delano, MN 55328
www.fluidall.com

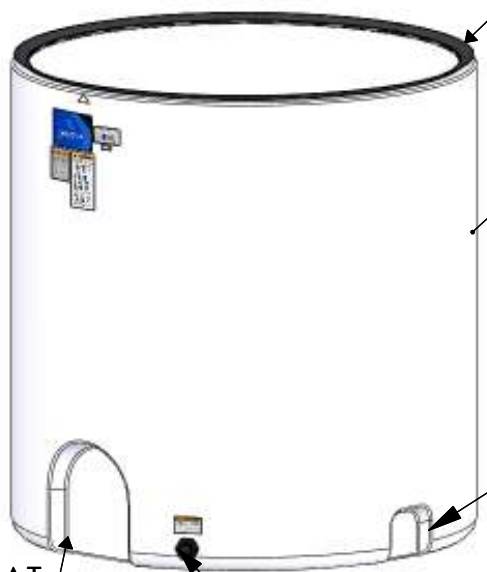
DESCRIPTION	500 GALLON DUAL LINE™ TANK- OUTER TANK	
SCALE	N.S.	PART NO. CDW500A

10528 16" VENTED LID



DW0500-57-1 INNER OR PRIMARY TANK

14213 EPDM SEAL

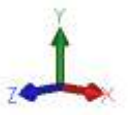


DW0550-57-2 OUTER OR SECONDARY TANK

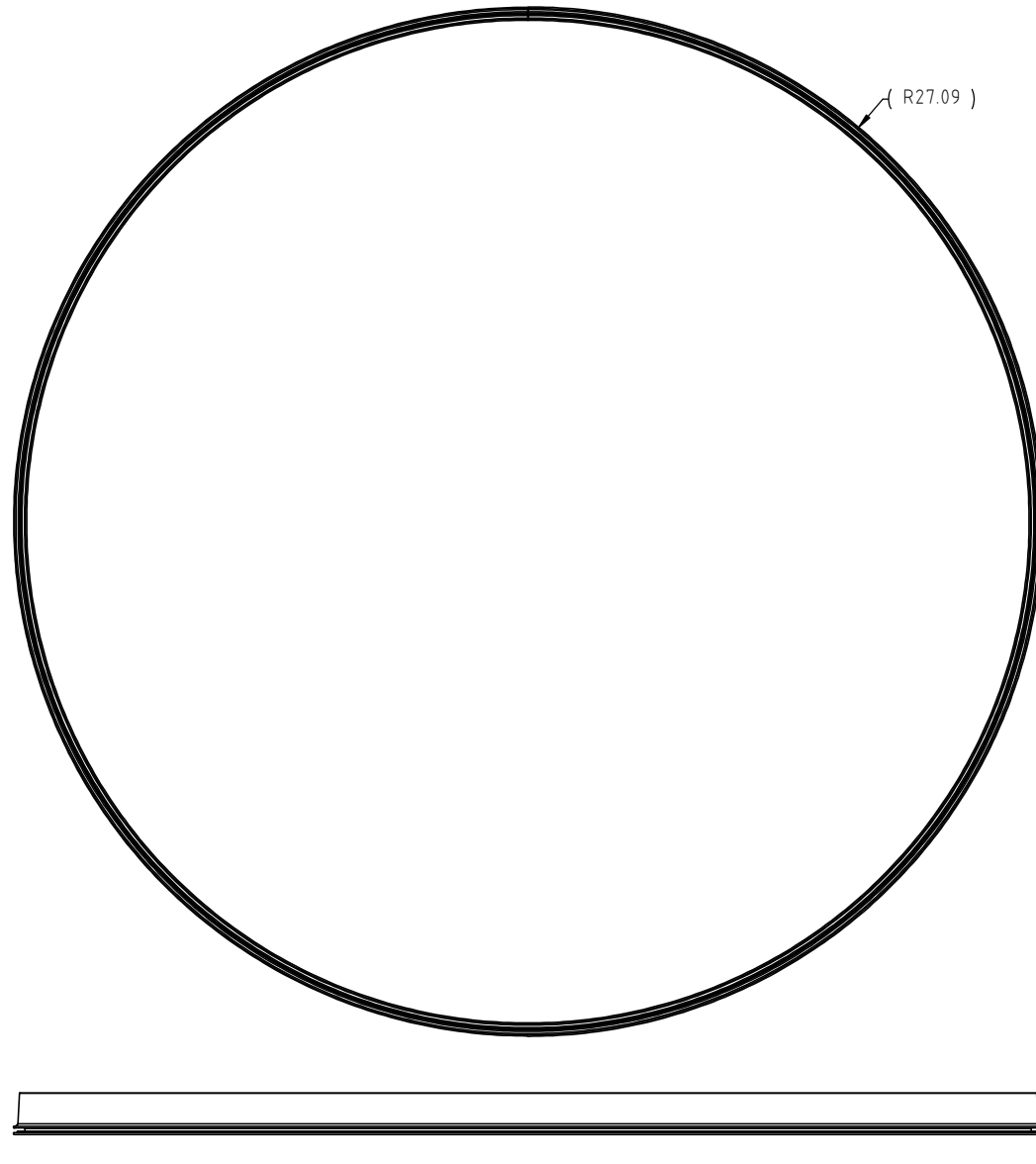
SHIPPING / CENTERING NOTCHES 3 PLACES


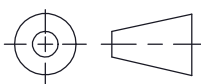
FITTING FLAT (FITTING IS OPTIONAL)

1" SERVICE FITTING



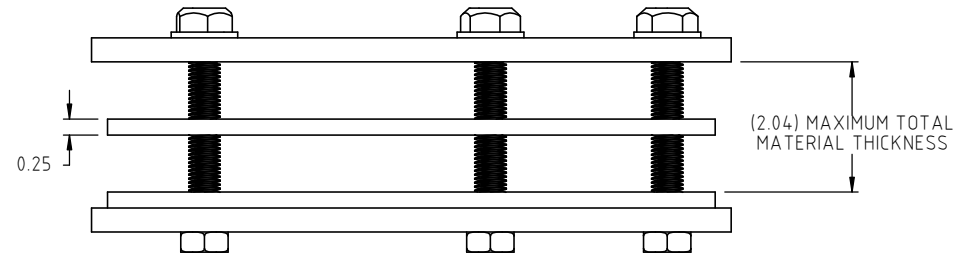
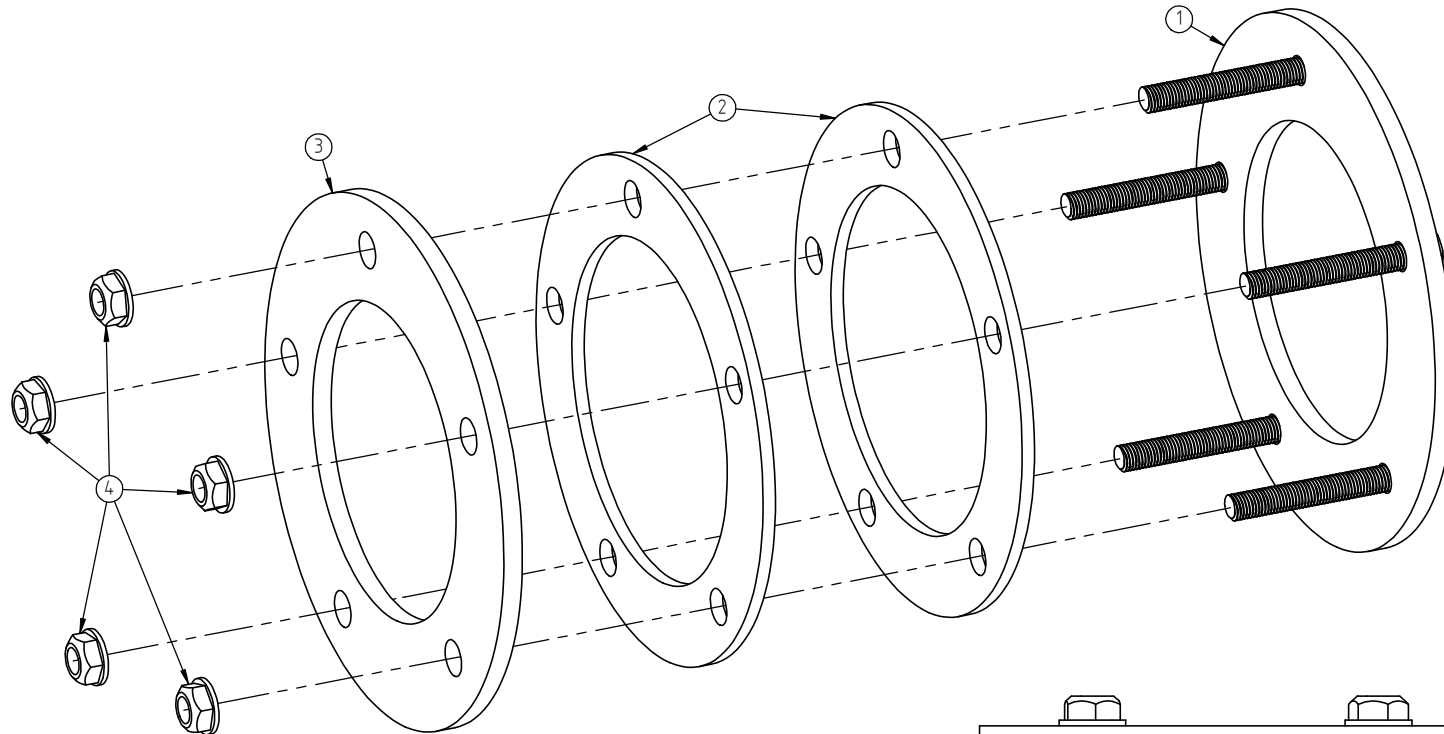
CDW500A



				DRAWN / DATE ADH 7/14/14	MATERIAL EPDM		860 Johnson Drive Delano, MN 55328 www.fluidall.com
				APPRD. / DATE REH 10/30/14			
REV	DESCRIPTION	BY / DATE	CCN				
ALL DIMENSIONS ARE IN DECIMAL INCHES TOLERANCES UNLESS OTHERWISE SPECIFIED		THIRD ANGLE PROJECTION ANSI 14.5M		SHOT WEIGHT:	NOTES: 1.) PURCHASED 2.) 166.50 IN LENGTH	DESCRIPTION 57 INCH DIAMETER DOUBLE WALL TANK- GASKET	
POLYETHYLENE ±1% @ 68°F	METAL DECIMAL ± .125" FRACTION ± 1/4" ANGLE ± 1°			SHIPPING WEIGHT:		SCALE N.S.	PART NO. CDW500A
				FINISH:			

PART NUMBER	DESCRIPTION	QTY.
19564	2" FITTING RING WELDMENT	1
19555	2" FITTING GASKET	2
19566	2" FITTING RING	1
19568	NUT, 1/2" SS	5

CDW500A



				DRAWN / DATE ADH 9/26/14	MATERIAL SEE COMPONENTS
				APPRD. / DATE REH 10/29/14	
REV	DESCRIPTION	BY / DATE	CCN		
ALL DIMENSIONS ARE IN DECIMAL INCHES TOLERANCES UNLESS OTHERWISE SPECIFIED		THIRD ANGLE PROJECTION ANSI 14.5M		SHOT WEIGHT:	NOTES: 1.) PATENT PENDING
POLYETHYLENE		METAL		SHIPPING WEIGHT:	
±1% @ 68°F		DECIMAL ± .125" FRACTION ± 1/4" ANGLE ± 1°		FINISH: NONE	



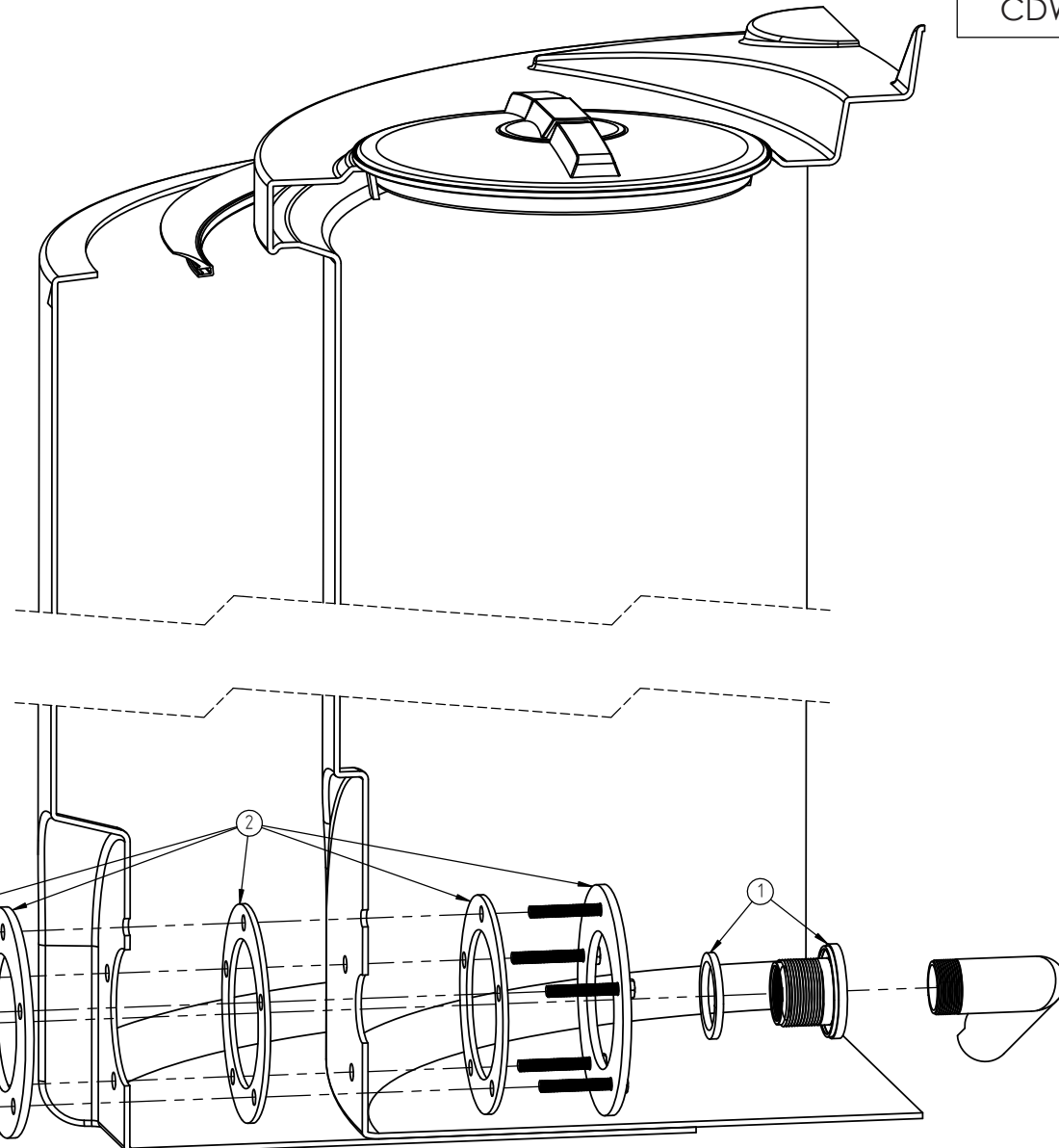
860 Johnson Drive
Delano, MN 55328
www.fluidall.com

DESCRIPTION 2" DUAL LINE™ TANK FITTING RING ASSEMBLY


SCALE N.S.	PART NO. CDW500A
------------	------------------

CDW500A

KEY	PART NUMBER	DESCRIPTION	QTY.
1	10508	BULKHEAD, 2" FITTING	1
2	19563	2" DOUBLE WALL RING ASSEMBLY	1
3	10488		1



				DRAWN / DATE ADH 10/16/13	MATERIAL
				APPRD. / DATE REH 10/29/14	
REV	DESCRIPTION	BY / DATE	CCN	SHOT WEIGHT:	NOTES:
				SHIPPING WEIGHT:	1.) PATENT PENDING
				FINISH:	



860 Johnson Drive
Delano, MN 55328
www.fluidall.com

DESCRIPTION		OPTIONAL 2" FITTING ASSEMBLY INSTALLATION	
SCALE	N.S.	PART NO.	CDW500A

ALL DIMENSIONS ARE IN DECIMAL INCHES
TOLERANCES UNLESS OTHERWISE SPECIFIED

POLYETHYLENE METAL
 ±1% @ 68°F DECIMAL ± .125"
 FRACTION ± 1/4"
 ANGLE ± 1°

