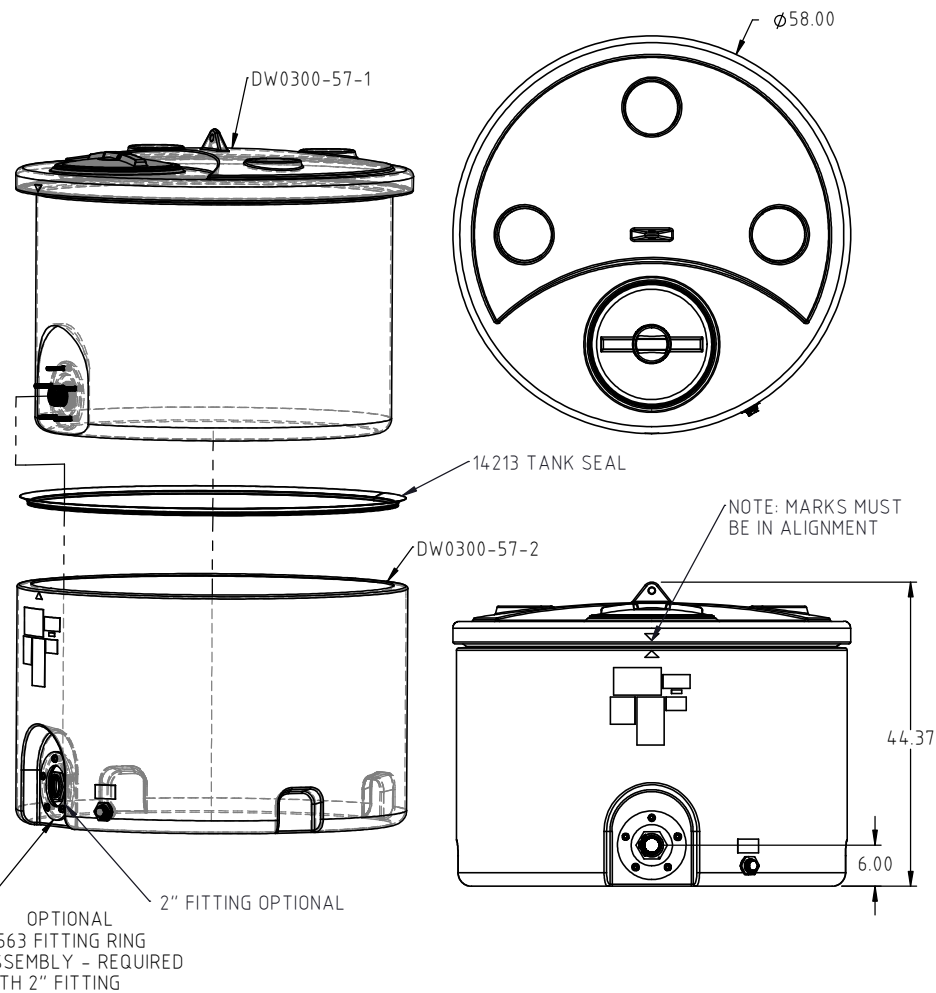
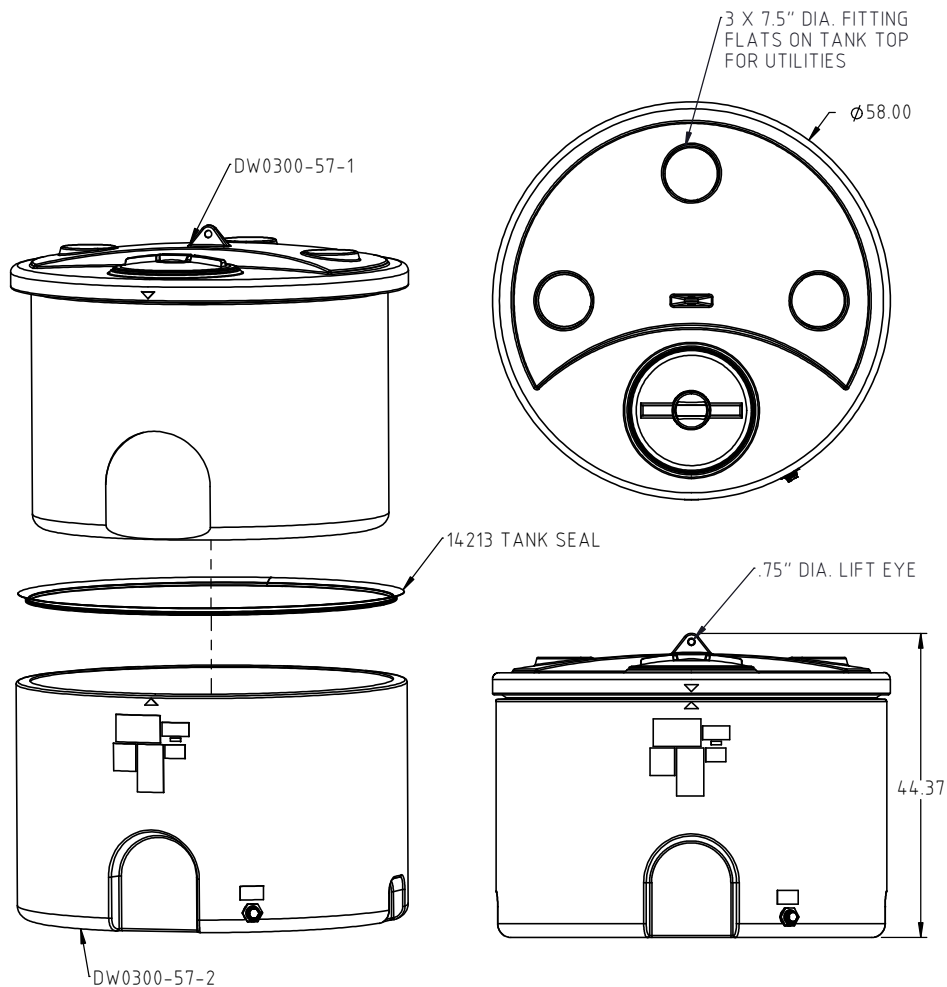


STANDARD TANK ASSEMBLY

TANK ASSEMBLY WITH
OPTIONAL 2" FITTING

CDW300A



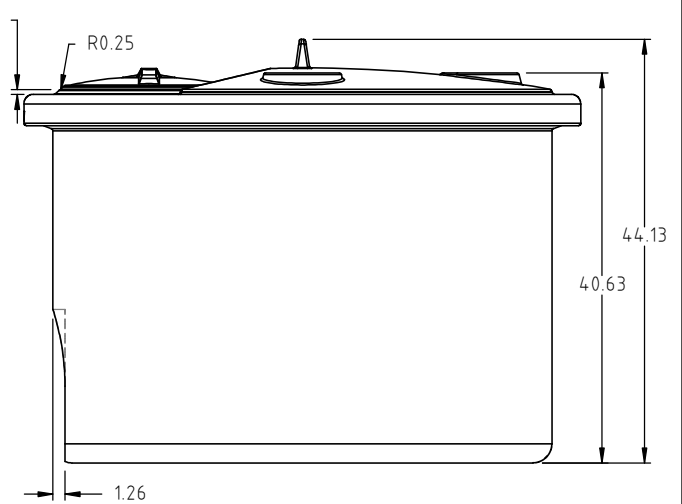
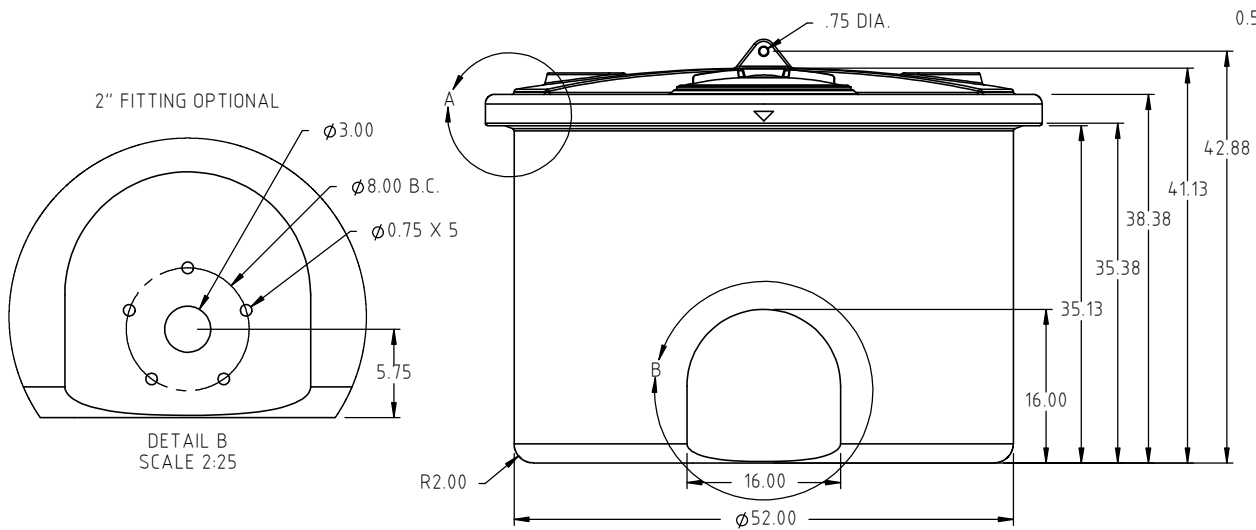
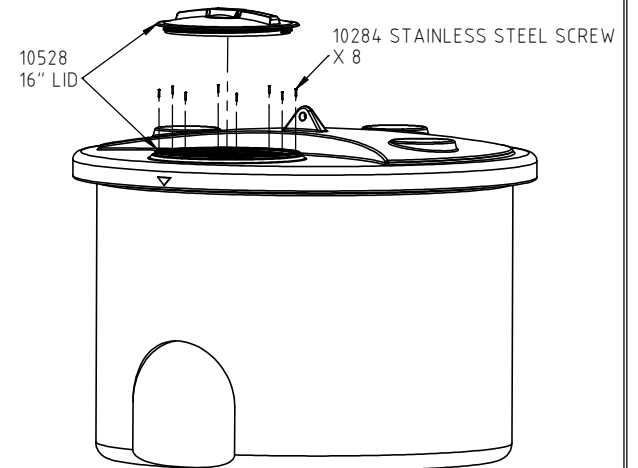
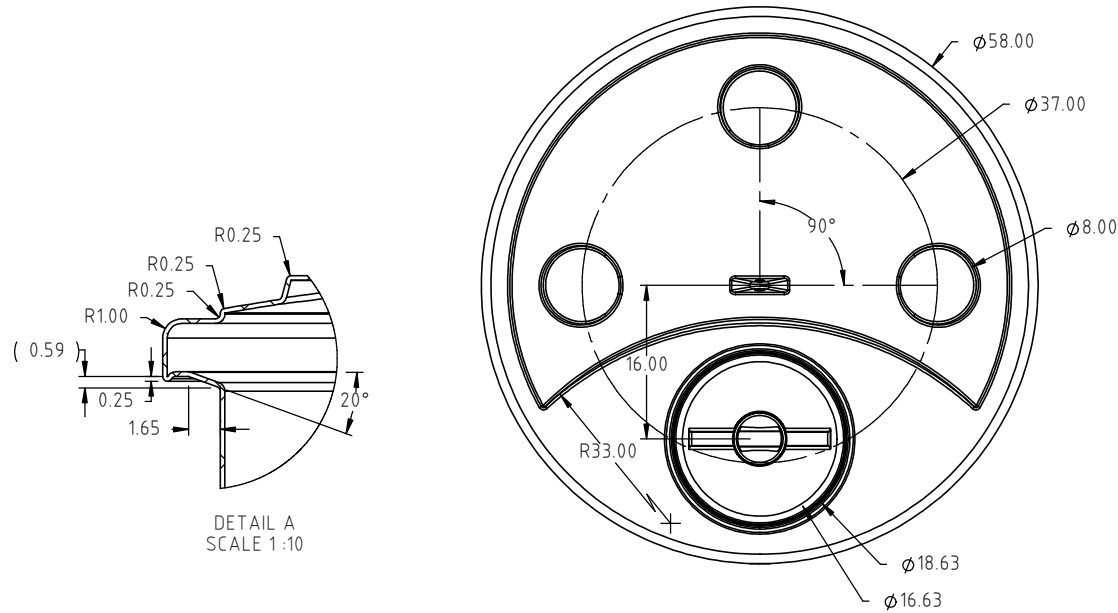
				DRAWN / DATE ADH 8/7/14	MATERIAL SEE NOTE 1
				APPROD. / DATE REH 8/12/14	
REV	DESCRIPTION	BY / DATE	CCN		
ALL DIMENSIONS ARE IN DECIMAL INCHES TOLERANCES UNLESS OTHERWISE SPECIFIED		THIRD ANGLE PROJECTION ANSI 14.5M		SHOT WEIGHT:	NOTES: 1.) REFERENCE COMPONENT PRINTS FOR DETAILS 2.) PATENT PENDING
POLYETHYLENE ±1% @ 68°F		METAL DECIMAL ± .125" FRACTION ± 1/4" ANGLE ± 1°		SHIPPING WEIGHT: STANDARD = 190 LBS.	
		FINISH:		DESCRIPTION 300 GALLON DUAL LINE™ TANK ASSEMBLY	



860 Johnson Drive
Delano, MN 55328
www.fluidall.com

SCALE N.S.	PART NO. CDW300A
---------------	---------------------

CDW300A



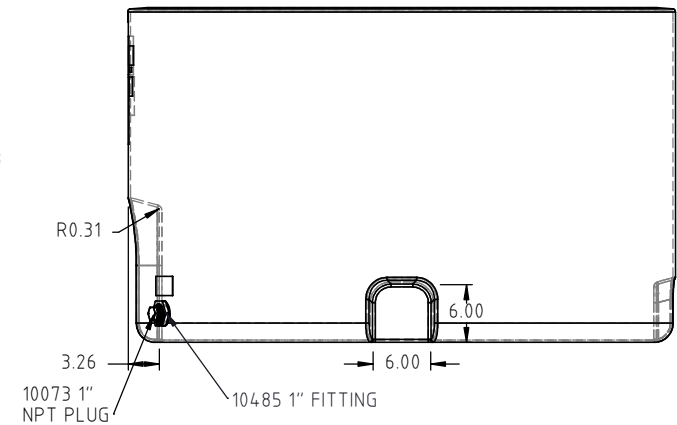
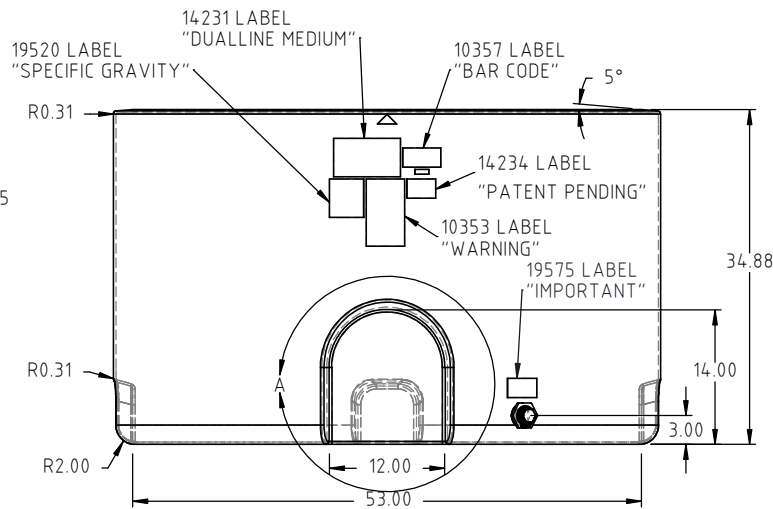
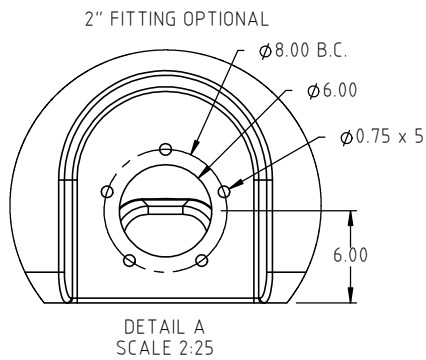
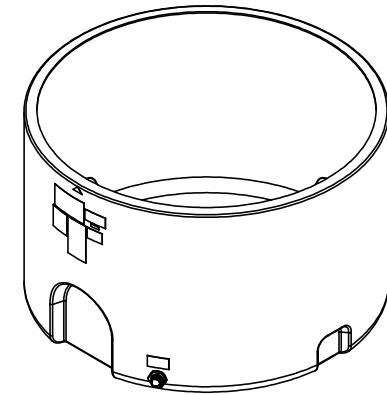
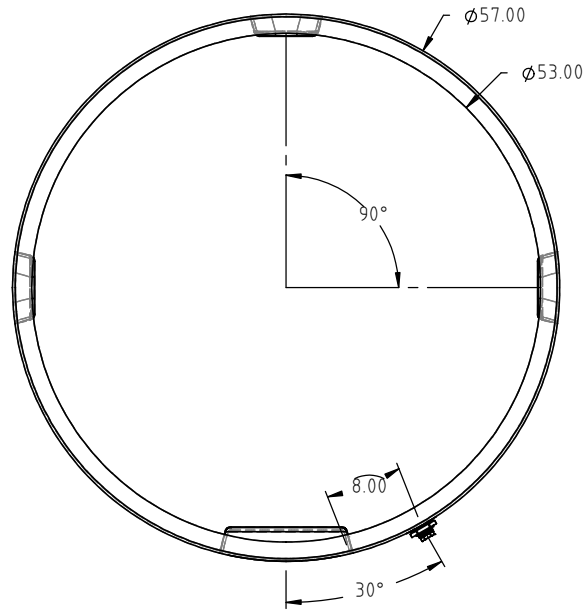
REV	DESCRIPTION	BY / DATE	CCN	DRAWN / DATE ADH 2/19/14	MATERIAL 10420
				APPRD. / DATE REH 8/12/14	
ALL DIMENSIONS ARE IN DECIMAL INCHES TOLERANCES UNLESS OTHERWISE SPECIFIED		THIRD ANGLE PROJECTION ANSI 14.5M		SHOT WEIGHT: 93 LBS	NOTES: 1.) 0.250 NOM. WALL THICKNESS 2.) PATENT PENDING
POLYETHYLENE ±1% @ 68°F				SHIPPING WEIGHT:	
METAL DECIMAL ± .125" FRACTION ± 1/4" ANGLE ± 1°				FINISH:	



860 Johnson Drive
Delano, MN 55328
www.fluidall.com

DESCRIPTION 300 GALLON DUAL LINE™ TANK-INNER TANK	
SCALE N.S.	PART NO. CDW300A

CDW300A



				DRAWN / DATE ADH 10/16/12	MATERIAL 10420
				APPRD. / DATE REH 8/12/14	
REV	DESCRIPTION	BY / DATE	CCN	SHOT WEIGHT: 90 LBS.	NOTES: 1.) 0.240 NOM. WALL THICKNESS 2.) PATENT PENDING
	ALL DIMENSIONS ARE IN DECIMAL INCHES TOLERANCES UNLESS OTHERWISE SPECIFIED	THIRD ANGLE PROJECTION ANSI 14.5M		SHIPPING WEIGHT: 73 LBS.	
	POLYETHYLENE ±1% @ 68°F			FINISH:	
	METAL DECIMAL ± .125" FRACTION ± 1/4" ANGLE ± 1°				

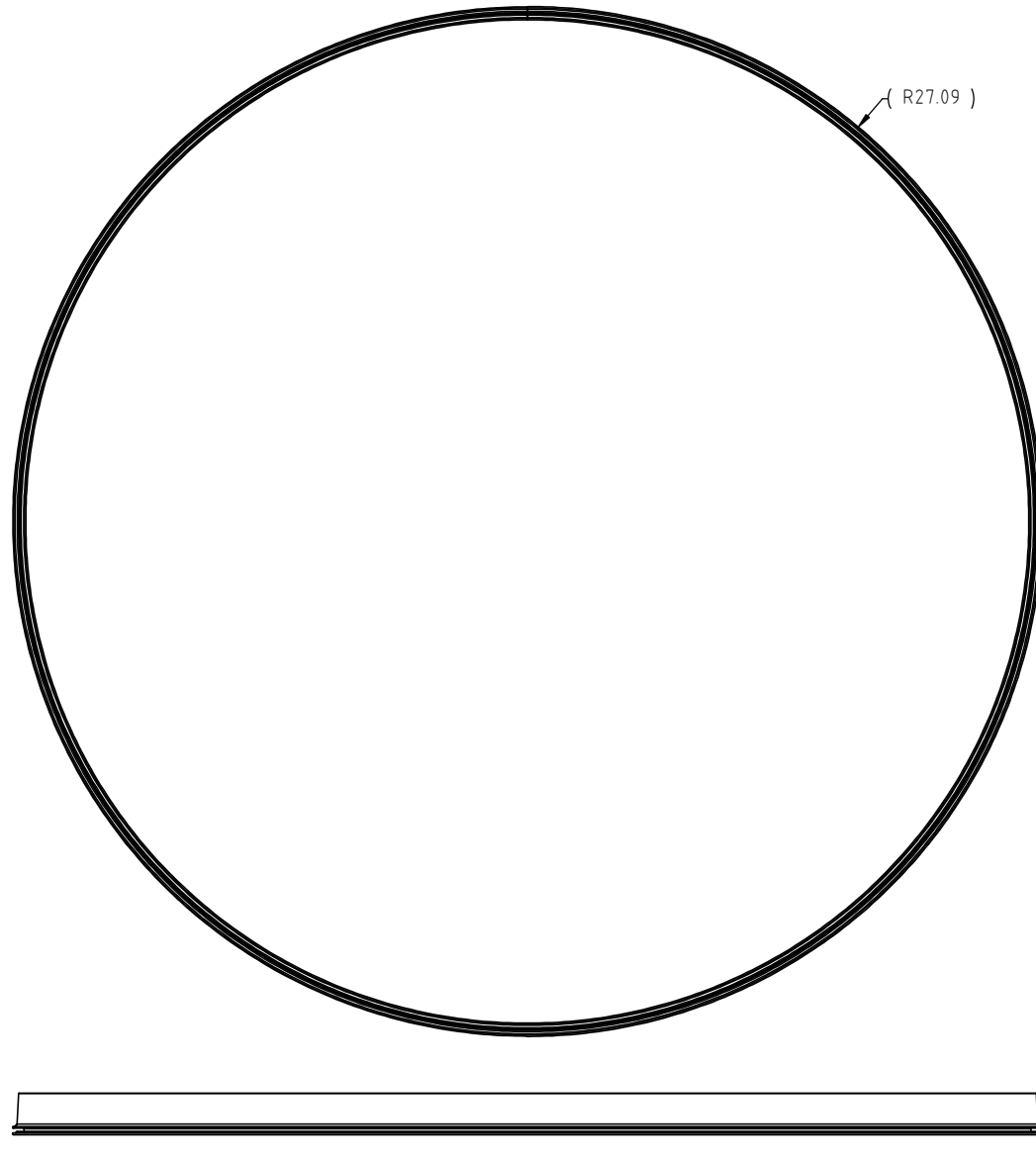



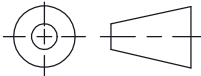
860 Johnson Drive
Delano, MN 55328
www.fluidall.com

DESCRIPTION: 300 GALLON DUAL LINE™ TANK- OUTER TANK

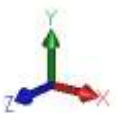
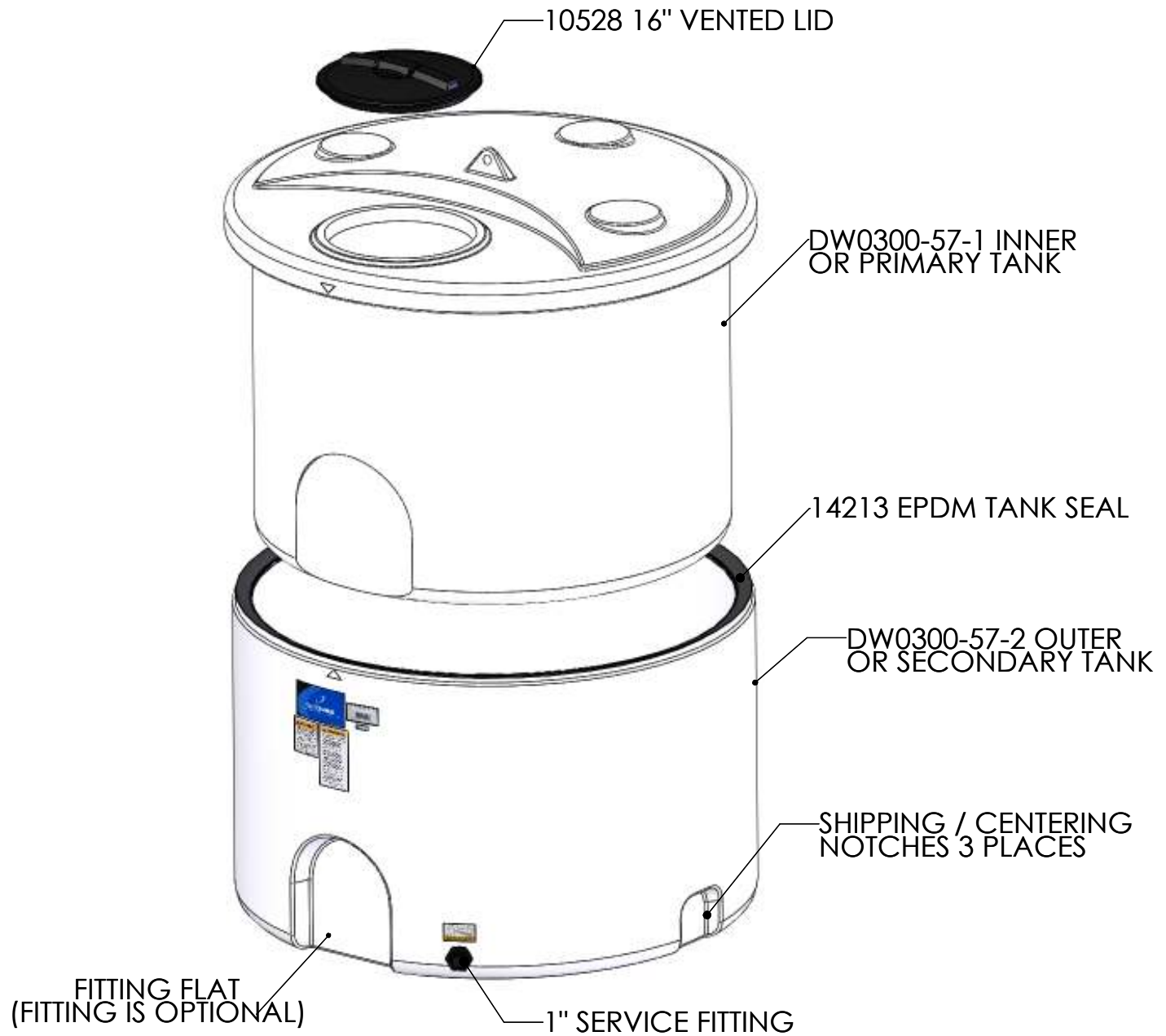
SCALE: N.S.	PART NO. CDW300A
-------------	------------------

CDW300A



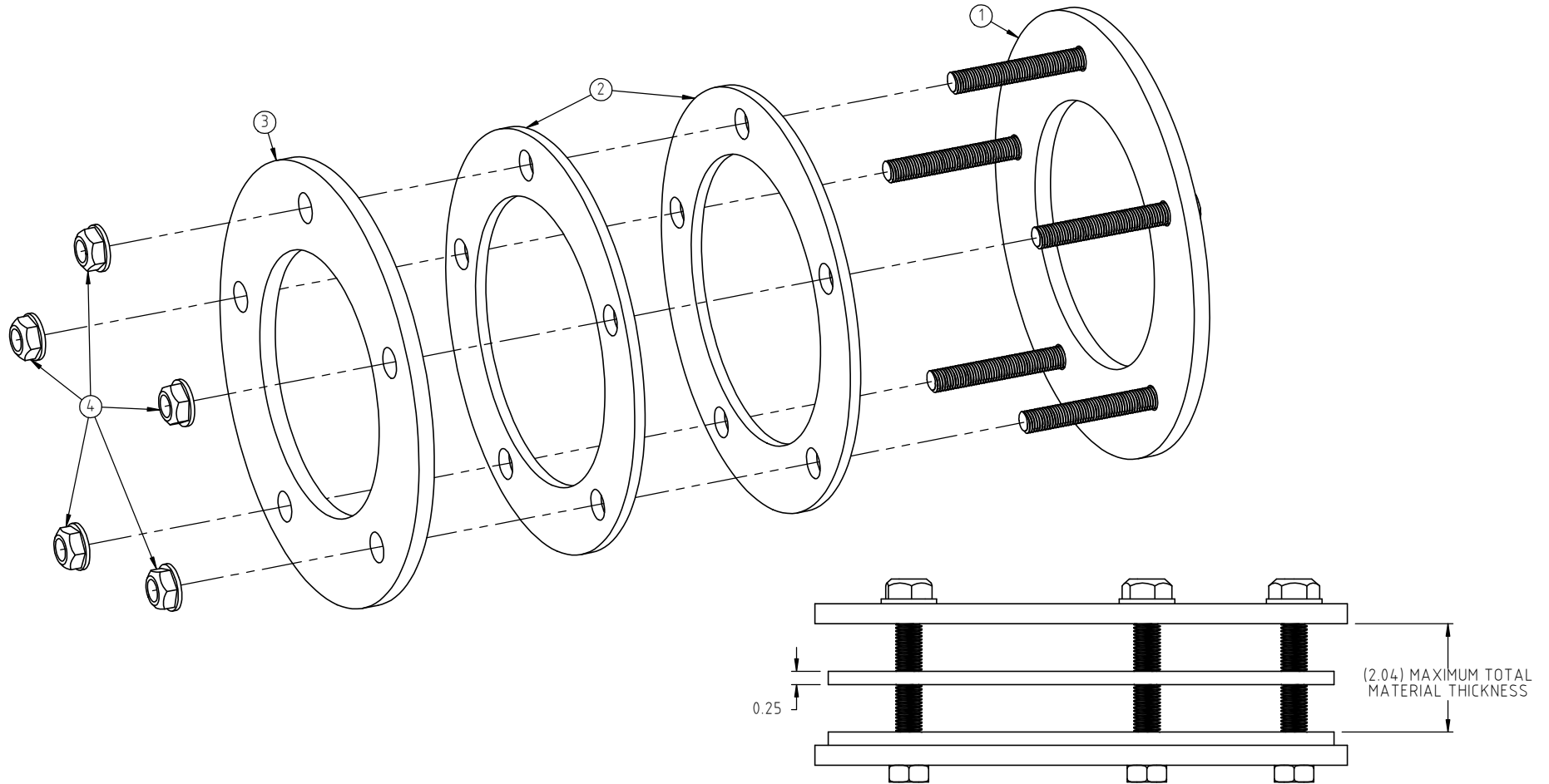
				DRAWN / DATE ADH 7/14/14		MATERIAL EPDM		 860 Johnson Drive Delano, MN 55328 www.fluidall.com	
				APPROD. / DATE REH 10/30/14					
REV	DESCRIPTION	BY / DATE	CCN	SHOT WEIGHT:		NOTES:		DESCRIPTION 57 INCH DIAMETER DOUBLE WALL TANK- GASKET	
ALL DIMENSIONS ARE IN DECIMAL INCHES TOLERANCES UNLESS OTHERWISE SPECIFIED POLYETHYLENE $\pm 1\%$ @ 68°F		THIRD ANGLE PROJECTION ANSI 14.5M 		SHIPPING WEIGHT:		1.) PURCHASED 2.) 166.50 IN LENGTH		SCALE N.S.	
METAL DECIMAL $\pm .125"$ FRACTION $\pm 1/4"$ ANGLE $\pm 1^\circ$				FINISH:				PART NO. CDW300A	

CDW300A DOUBLE WALL TANK STANDARD COMPONENTS



CDW300A

KEY	PART NUMBER	DESCRIPTION	QTY.
1	19564	2" FITTING RING WELDMENT	1
2	19555	2" FITTING GASKET	2
3	19566	2" FITTING RING	1
4	19568	NUT, 1/2" SS	5



				DRAWN / DATE ADH 9/26/14	MATERIAL SEE COMPONENTS
				APPRD. / DATE REH 10/29/14	
REV	DESCRIPTION	BY / DATE	CCN		
ALL DIMENSIONS ARE IN DECIMAL INCHES TOLERANCES UNLESS OTHERWISE SPECIFIED		THIRD ANGLE PROJECTION ANSI 14.5M		SHOT WEIGHT:	NOTES: 1.) PATENT PENDING
POLYETHYLENE		METAL DECIMAL ± .125" FRACTION ± 1/4" ANGLE ± 1°		SHIPPING WEIGHT:	
±1% @ 68°F				FINISH: NONE	



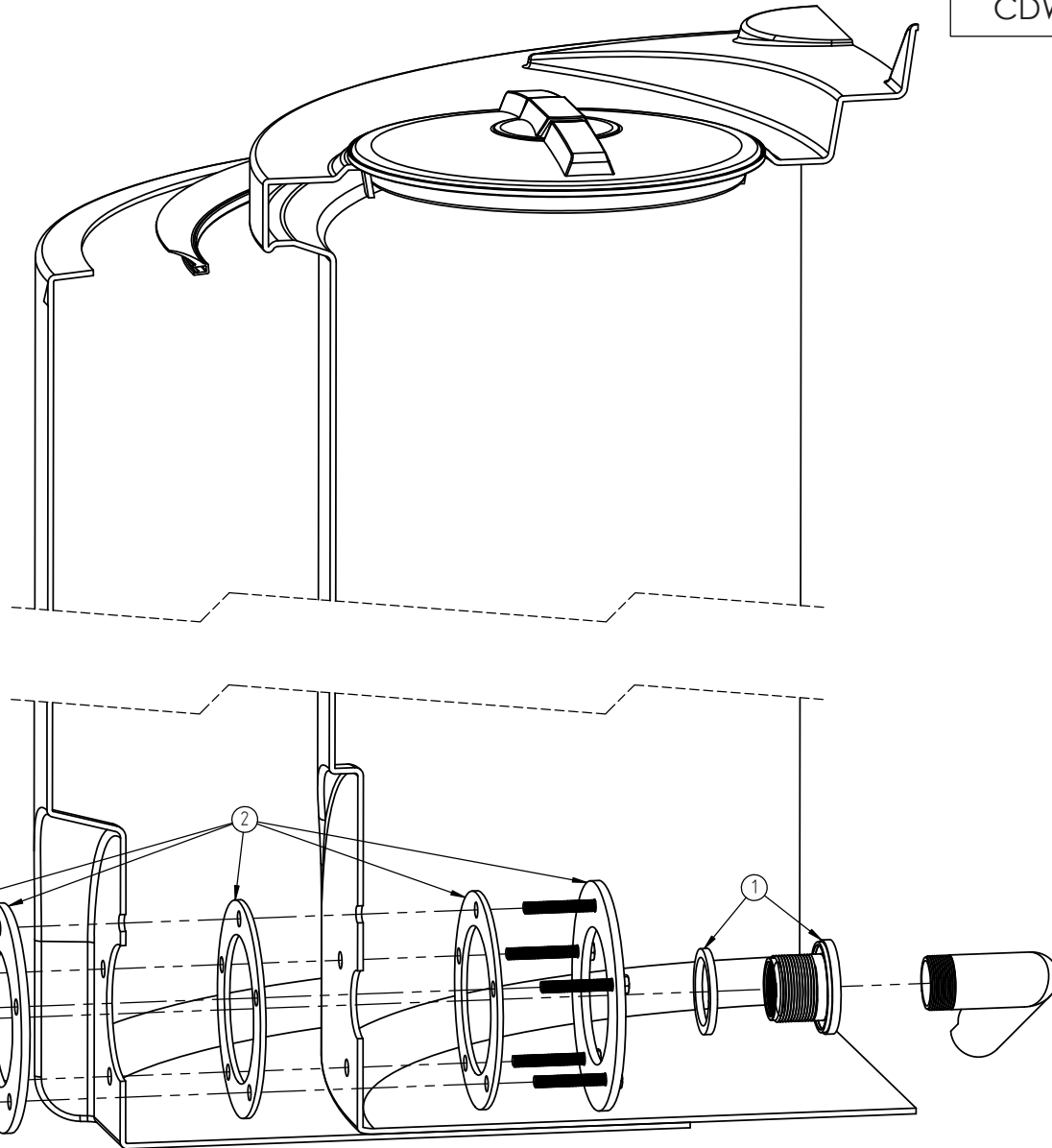
860 Johnson Drive
Delano, MN 55328
www.fluidall.com

DESCRIPTION 2" DUAL LINE™ TANK FITTING RING ASSEMBLY

SCALE	N.S.	PART NO.	CDW300A
-------	------	----------	---------

CDW300A

KEY	PART NUMBER	DESCRIPTION	QTY.
1	10508	BULKHEAD, 2" FITTING	1
2	19563	2" DOUBLE WALL RING ASSEMBLY	1
3	10488		1



				DRAWN / DATE ADH 10/16/13	MATERIAL
				APPRD. / DATE REH 10/29/14	
REV	DESCRIPTION	BY / DATE	CCN	SHOT WEIGHT:	NOTES:
				SHIPPING WEIGHT:	1.) PATENT PENDING
				FINISH:	



860 Johnson Drive
Delano, MN 55328
www.fluidall.com

DESCRIPTION		OPTIONAL 2" FITTING ASSEMBLY INSTALLATION	
SCALE	N.S.	PART NO.	CDW300A ALL

ALL DIMENSIONS ARE IN DECIMAL INCHES
TOLERANCES UNLESS OTHERWISE SPECIFIED

POLYETHYLENE	METAL
±1% @ 68°F	DECIMAL ± .125"
	FRACTION ± 1/4"
	ANGLE ± 1°

