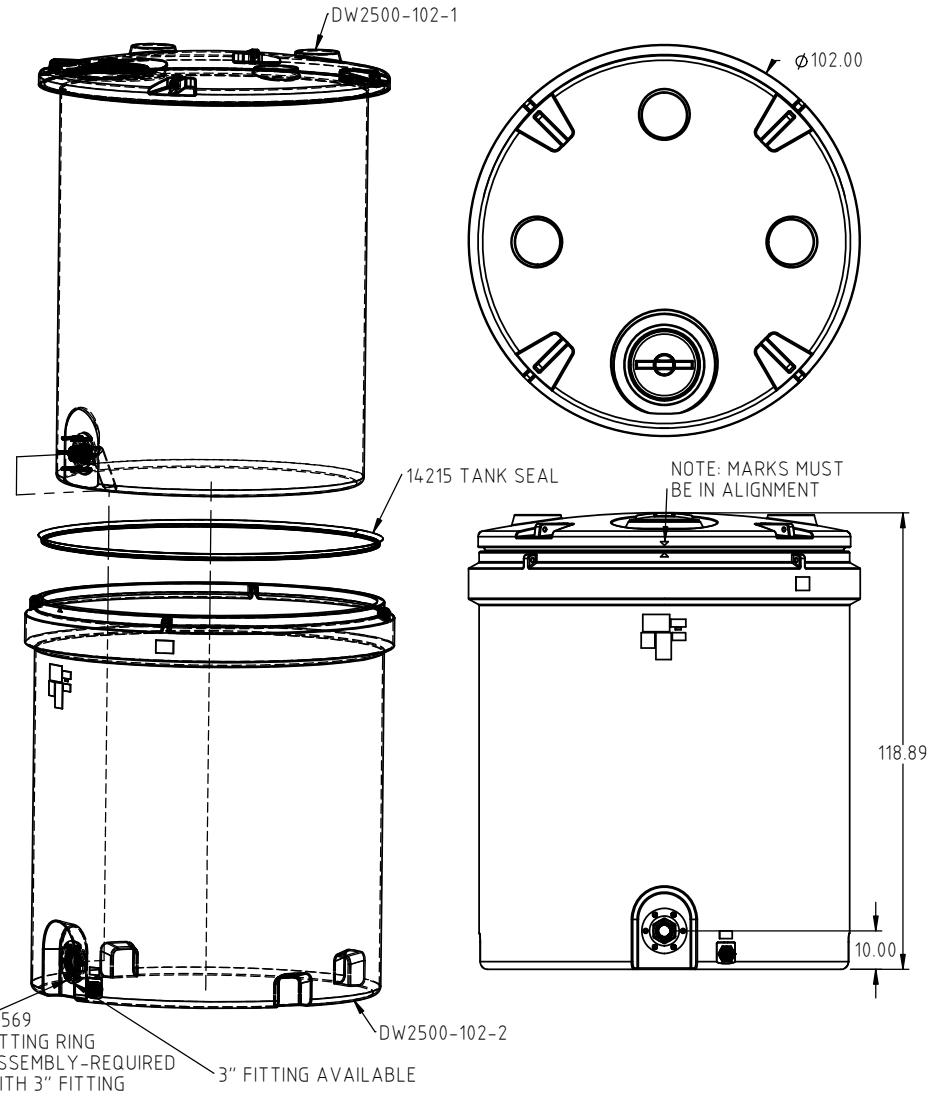
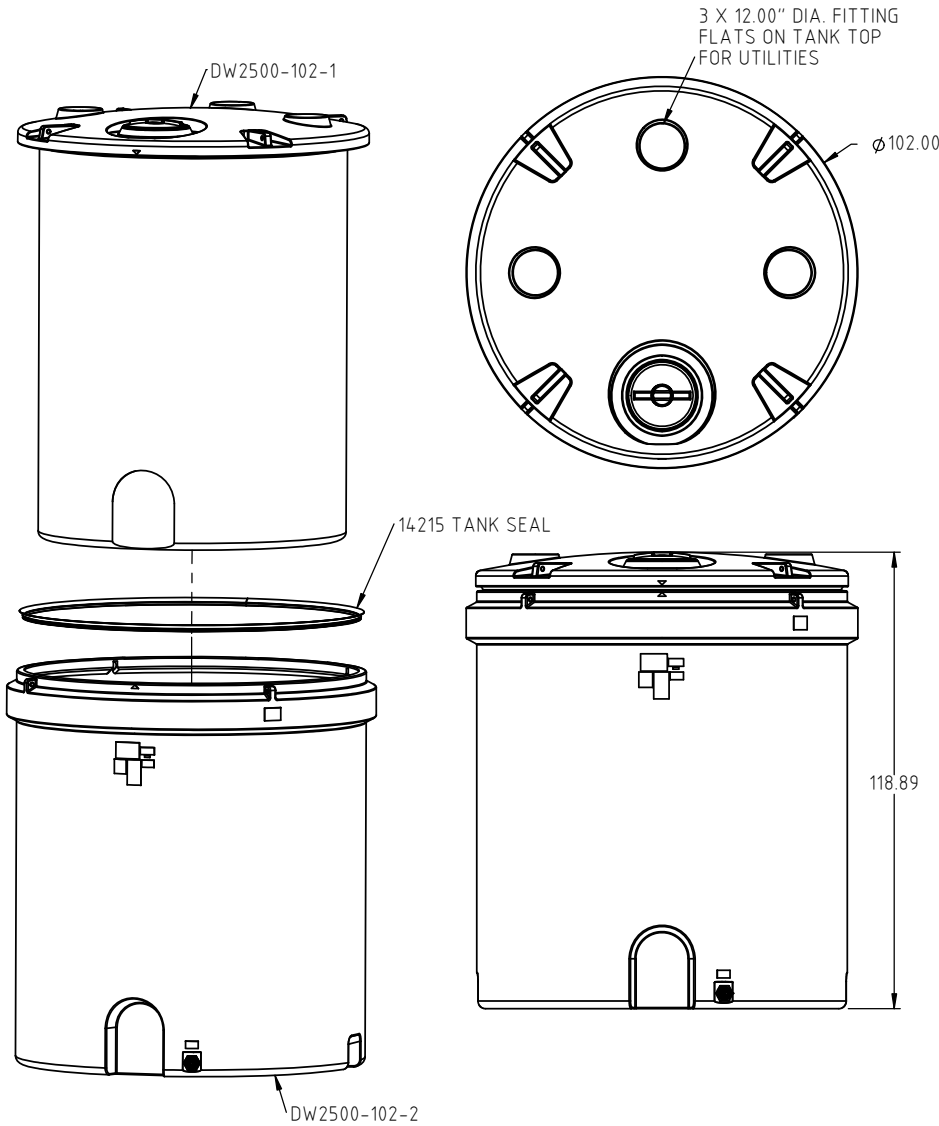


STANDARD TANK ASSEMBLY

TANK ASSEMBLY WITH
OPTIONAL FITTING

CDW2500A



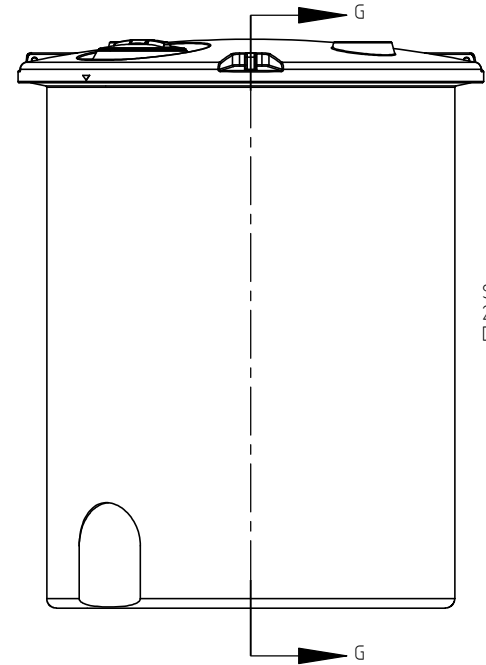
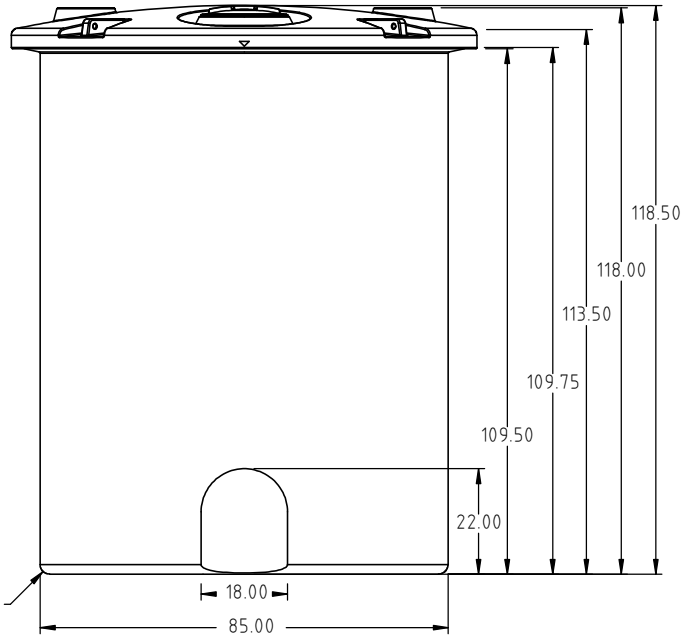
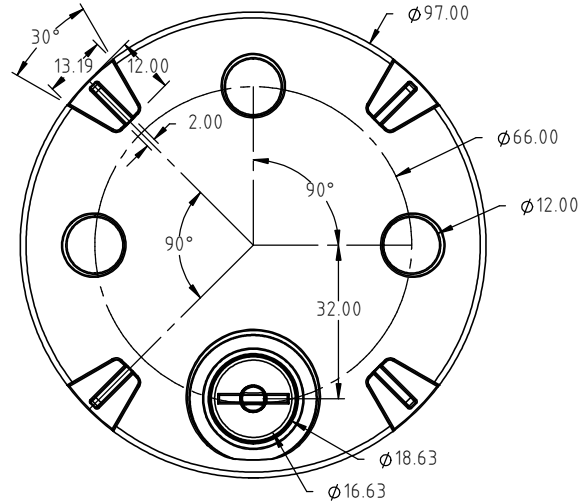
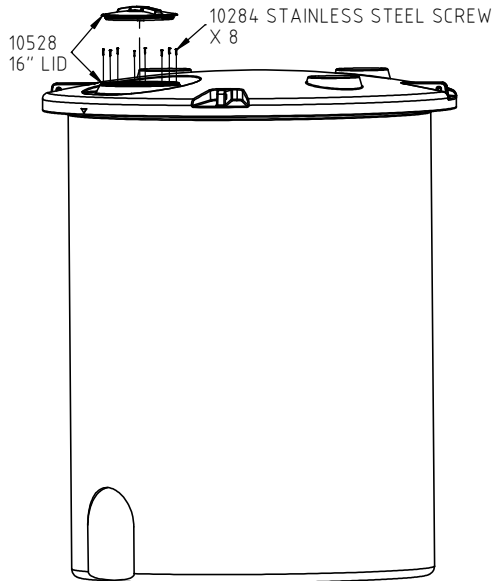
				DRAWN / DATE ADH 10/3/14	MATERIAL SEE NOTE 1
				APPROD. / DATE REH 9/22/15	
REV	DESCRIPTION	BY / DATE	CCN		
ALL DIMENSIONS ARE IN DECIMAL INCHES TOLERANCES UNLESS OTHERWISE SPECIFIED		THIRD ANGLE PROJECTION ANSI 14.5M		SHOT WEIGHT:	NOTES: 1.) REFERENCE COMPONENT PRINTS FOR DETAILS 2.) PATENT 9,162,816
POLYETHYLENE ±1% @ 68°F		METAL DECIMAL ± .125" FRACTION ± 1/4" ANGLE ± 1°		SHIPPING WEIGHT: STANDARD 1153 LBS.	
		FINISH:			



860 Johnson Drive
Delano, MN 55328
www.fluidall.com

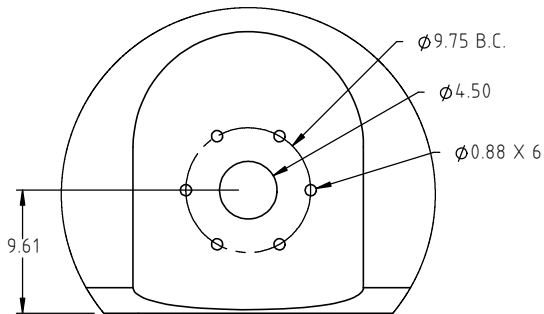
DESCRIPTION 2500 GALLON DUAL LINE™ TANK ASSEMBLY	
SCALE N.S.	PART NO. CDW2500A

CDW2500A



SEE SHEET
2 OF 2 FOR
DETAILS

FITTING OPTIONAL



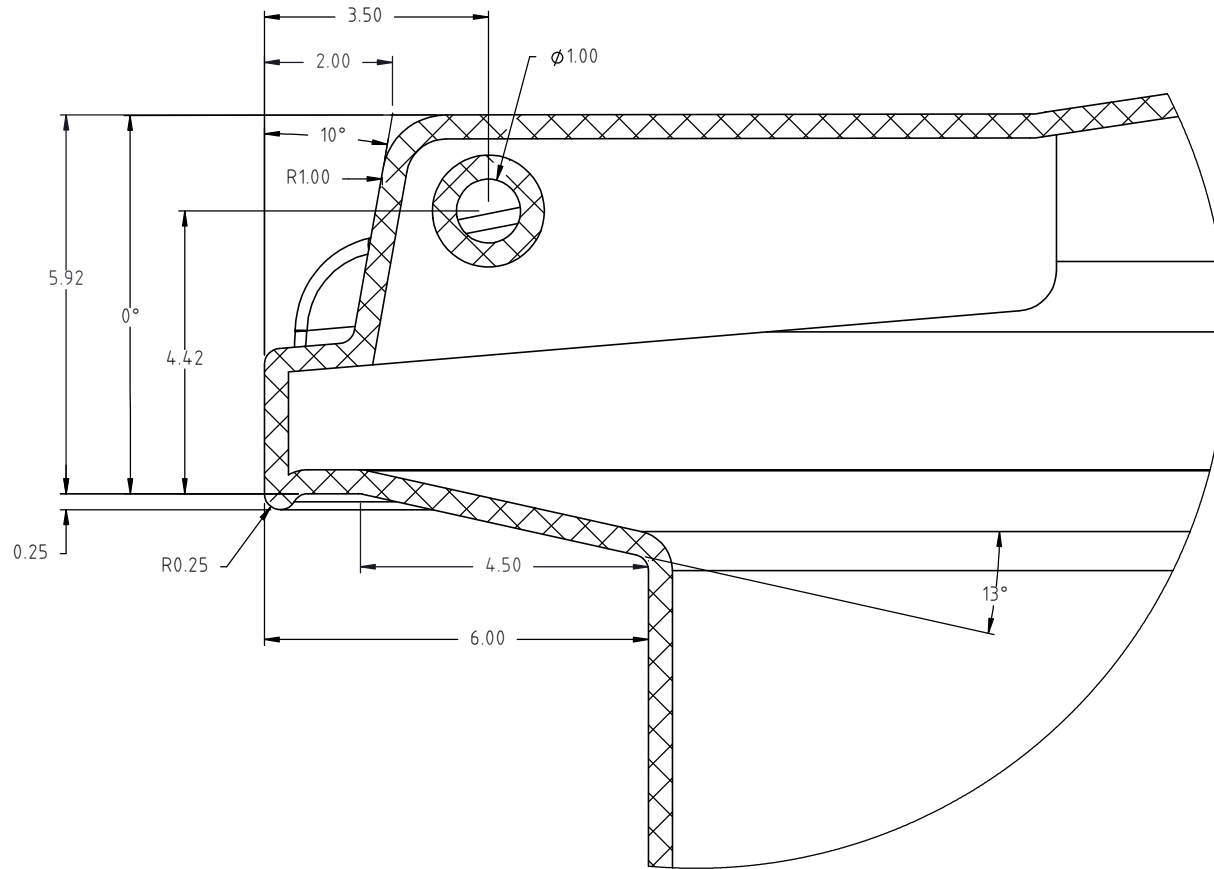
DETAIL A
SCALE 1:15

DRAWN / DATE ADH 10/16/12		MATERIAL 10420	
APPRD. / DATE REH 9/21/15		NOTES: 1.) 0.38 NOM. WALL THICKNESS 2.) PATENT 9,162,816	
REV	DESCRIPTION	BY / DATE	CCN
ALL DIMENSIONS ARE IN DECIMAL INCHES TOLERANCES UNLESS OTHERWISE SPECIFIED		THIRD ANGLE PROJECTION ANSI 14.5M	
POLYETHYLENE ±1% @ 68°F			
METAL DECIMAL ± .125" FRACTION ± 1/4" ANGLE ± 1°		SHOT WEIGHT: 582 LB.	SHIPPING WEIGHT: 584 LB.
		FINISH:	

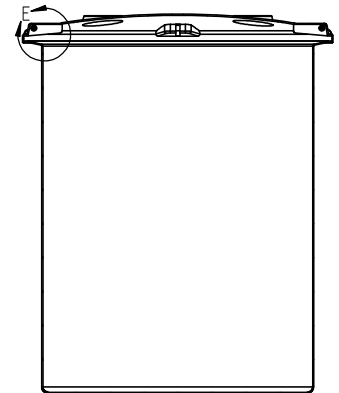


860 Johnson Drive
Delano, MN 55328
www.fluidall.com


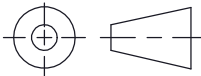
DESCRIPTION 2500 GALLON DUAL LINE™ TANK-INNER TANK-1 OF 2	
SCALE N.S.	PART NO. CDW2500A



DETAIL E
SCALE 1 : 3

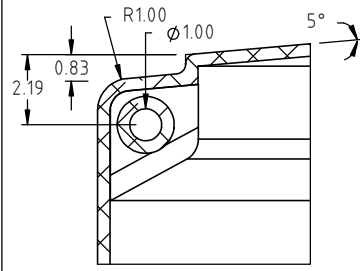
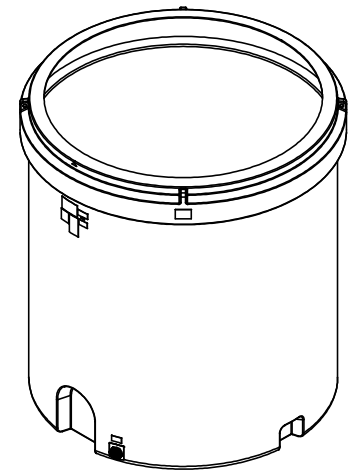
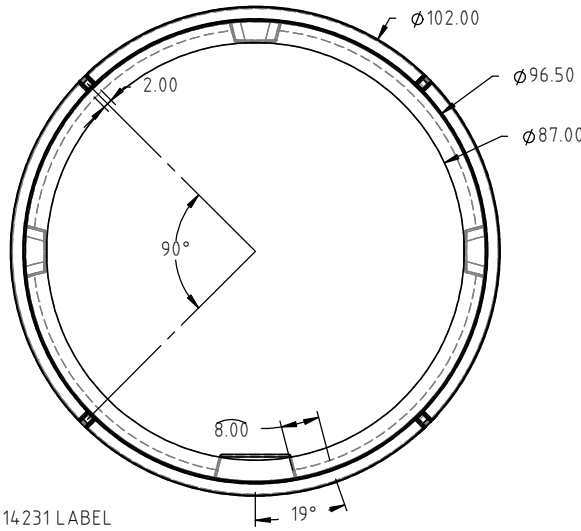
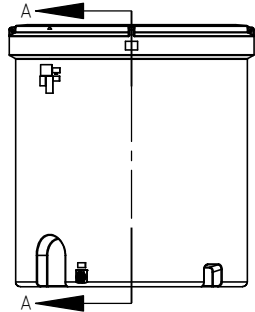


SECTION D-D
SCALE 1 : 60

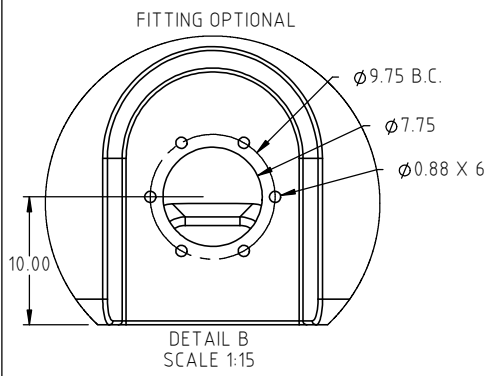
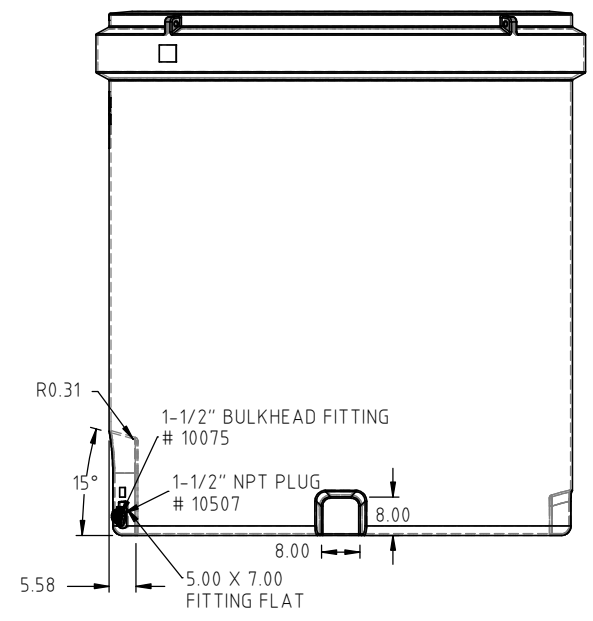
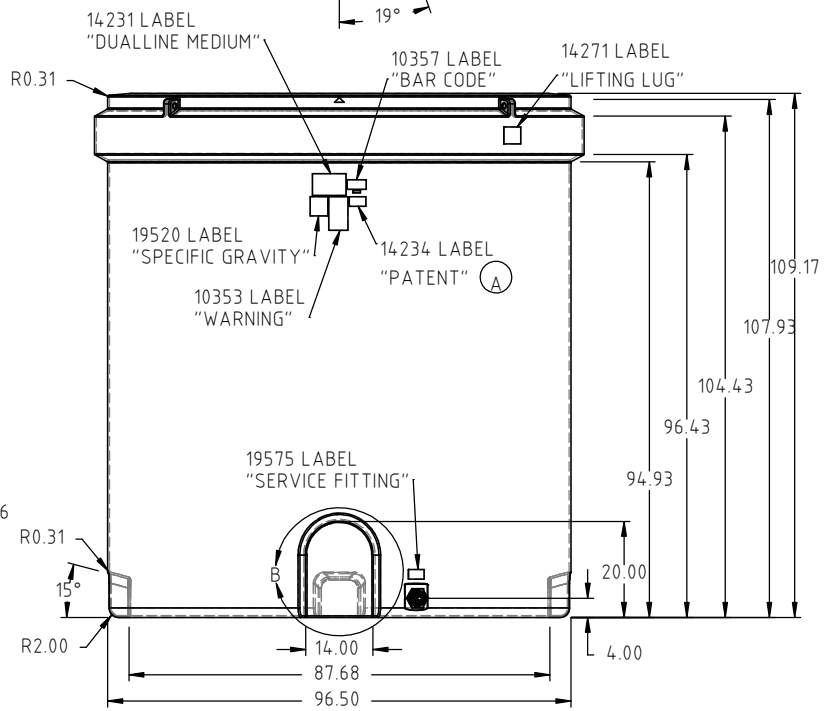
				DRAWN / DATE ADH 10/16/12	MATERIAL		860 Johnson Drive Delano, MN 55328 www.fluidall.com
				APPRD. / DATE REH 9/21/15			
REV	DESCRIPTION	BY / DATE	CCN				
ALL DIMENSIONS ARE IN DECIMAL INCHES TOLERANCES UNLESS OTHERWISE SPECIFIED		THIRD ANGLE PROJECTION ANSI 14.5M		SHOT WEIGHT: SHIPPING WEIGHT: FINISH:		NOTES:	
POLYETHYLENE ±1% @ 68°F						DESCRIPTION 2500 GALLON DUAL LINE™ TANK-INNER TANK- 2 OF 2	
METAL DECIMAL ± .125" FRACTION ± 1/4" ANGLE ± 1°						SCALE N.S.	PART NO. CDW2500A

CDW2500A

A



SECTION A-A
SCALE 1:6



DETAIL B
SCALE 1:15

				DRAWN / DATE ADH 2/18/14	MATERIAL 10420
A	"PATENT" WAS "PATENT PENDING"	ADH 4/21/16	3242	APPRD. / DATE REH 9/21/15	
REV	DESCRIPTION	BY / DATE	CCN		
ALL DIMENSIONS ARE IN DECIMAL INCHES TOLERANCES UNLESS OTHERWISE SPECIFIED		THIRD ANGLE PROJECTION ANSI 14.5M		SHOT WEIGHT: 649 LB.	NOTES: 1.) 0.39 NOM. WALL THICKNESS 2.) PATENT 9,162,816
POLYETHYLENE ±1% @ 68°F		METAL DECIMAL ± .125" FRACTION ± 1/4" ANGLE ± 1°		SHIPPING WEIGHT: 559 LB.	
		FINISH:			



860 Johnson Drive
Delano, MN 55328
www.fluidall.com

DESCRIPTION 2500 GALLON DUAL LINE™ TANK - OUTER TANK	
SCALE N.S.	PART NO. CDW2500A



CDW2500A DOUBLE WALL TANK STANDARD COMPONENTS

