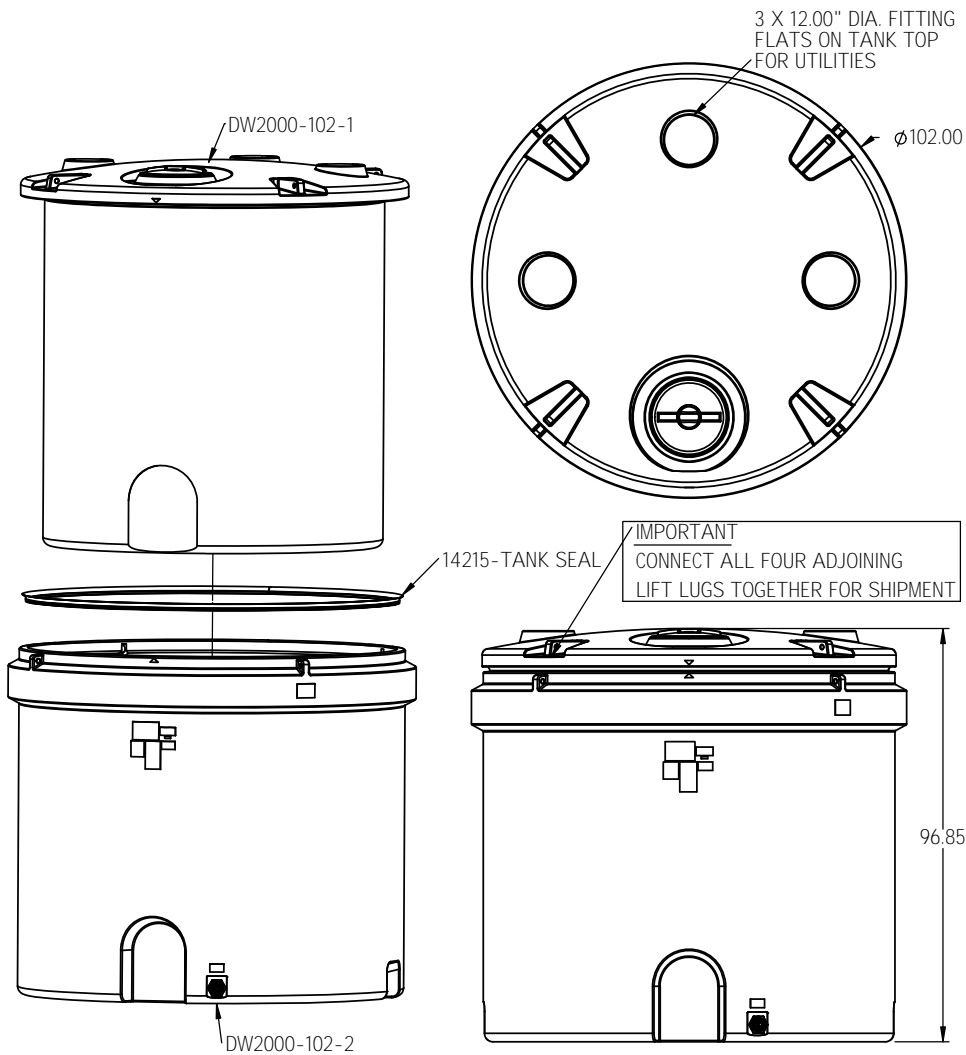
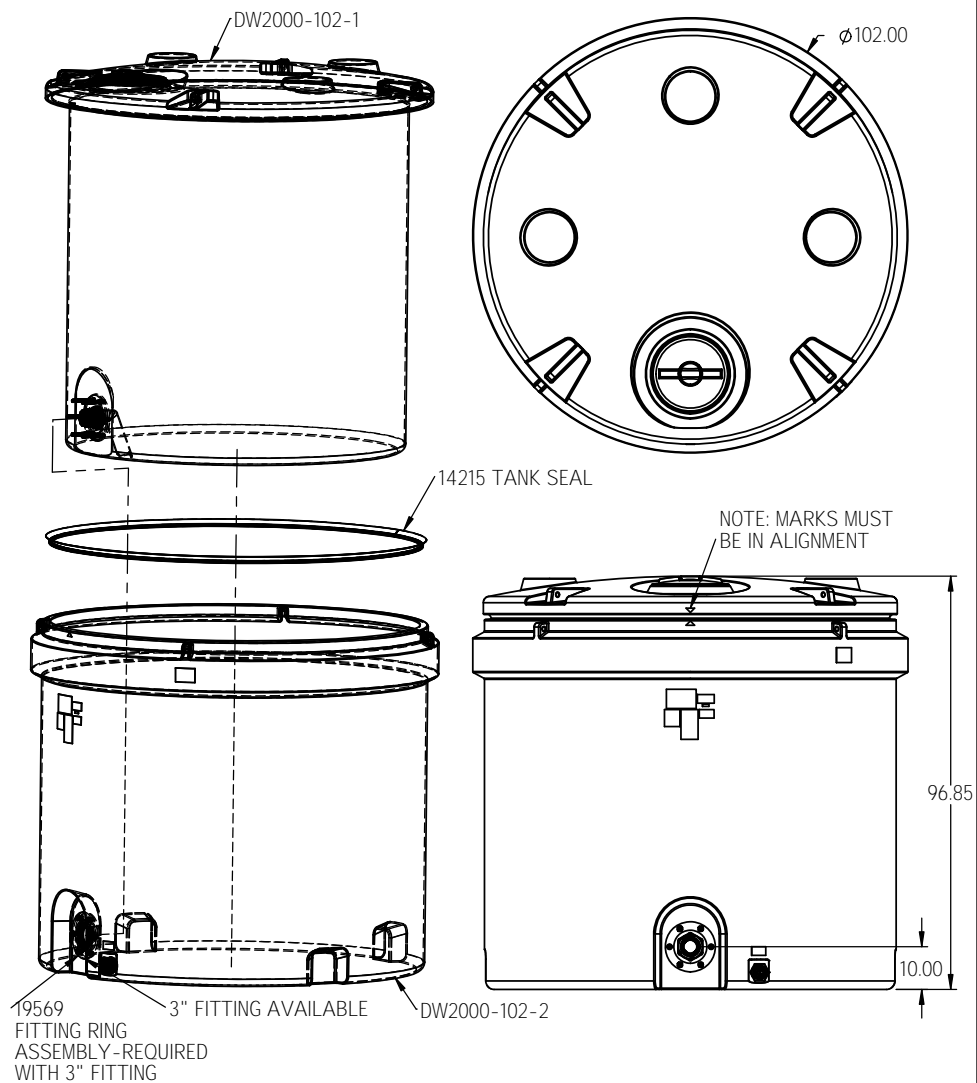


STANDARD CONFIGURATION



TANK ASSEMBLY WITH OPTIONAL FITTING

CDW2000A



				DRAWN / DATE ADH 10/1/14	MATERIAL SEE NOTE 1
				APPRD. / DATE REH 9/15/15	
REV	DESCRIPTION	BY / DATE	CCN		
ALL DIMENSIONS ARE IN DECIMAL INCHES TOLERANCES UNLESS OTHERWISE SPECIFIED		THIRD ANGLE PROJECTION ANSI 14.5M		SHOT WEIGHT:	NOTES: 1.) REFERENCE COMPONENT PRINTS FOR DETAILS 2.) PATENT 9,162,816
POLYETHYLENE ±1% @ 68°F				SHIPPING WEIGHT: STANDARD 907 LBS.	
METAL DECIMAL ± .125" FRACTION ± 1/4" ANGLE ± 1°				FINISH:	



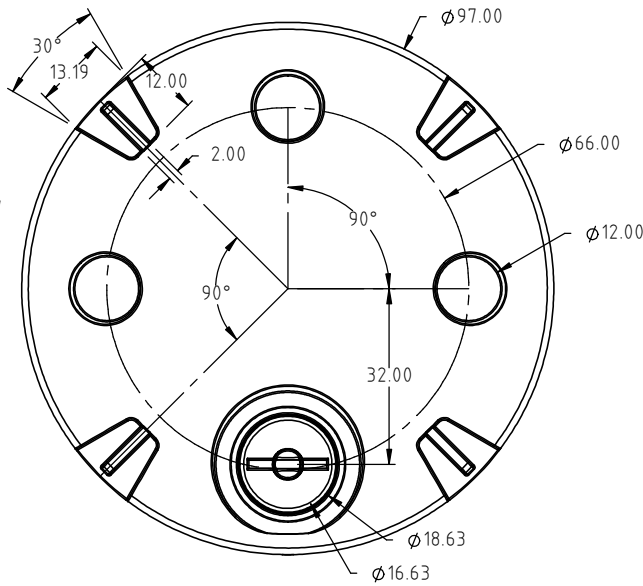
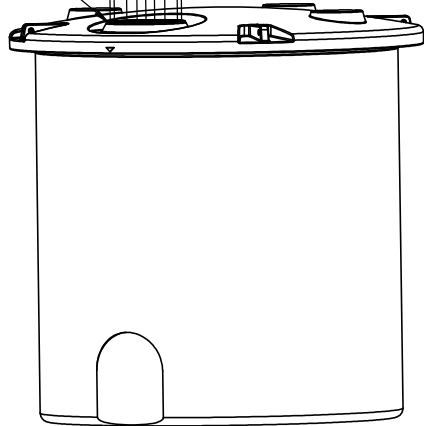
860 Johnson Drive
Delano, MN 55328
www.fluidall.com

DESCRIPTION 2000 GALLON DUAL LINE™ TANK ASSEMBLY	
SCALE N.S.	PART NO. CDW2000A

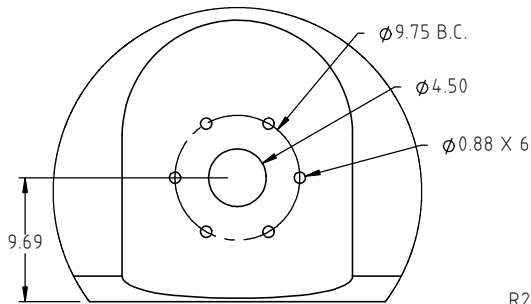
CDW2000A

10528
16" LID

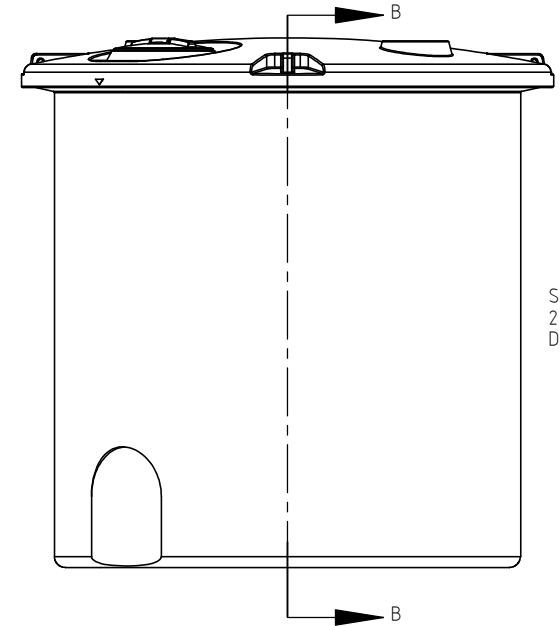
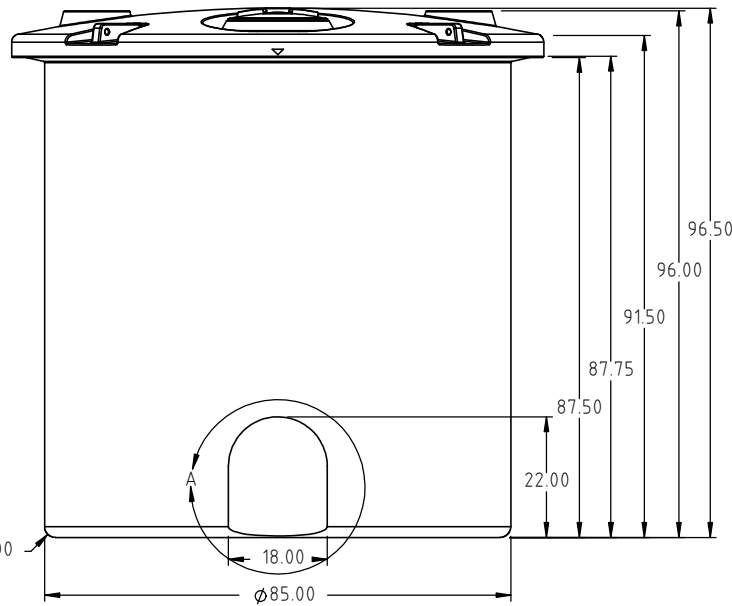
10284 STAINLESS STEEL SCREW
X 8



FITTING OPTIONAL



DETAIL A
SCALE 1:15



SEE SHEET
2 OF 2 FOR
DETAILS

REV	DESCRIPTION	BY / DATE	CCN	DRAWN / DATE ADH 10/16/12	MATERIAL 10420
				APPRD. / DATE REH 9/22/15	
ALL DIMENSIONS ARE IN DECIMAL INCHES TOLERANCES UNLESS OTHERWISE SPECIFIED		THIRD ANGLE PROJECTION ANSI 14.5M		SHOT WEIGHT: 473 LBS.	NOTES: 1.) 0.35 NOM. WALL THICKNESS 2.) PATENT 9,162,816
POLYETHYLENE ±1% @ 68°F		METAL DECIMAL ± .125" FRACTION ± 1/4" ANGLE ± 1°		SHIPPING WEIGHT: 475 LBS.	
		FINISH:			

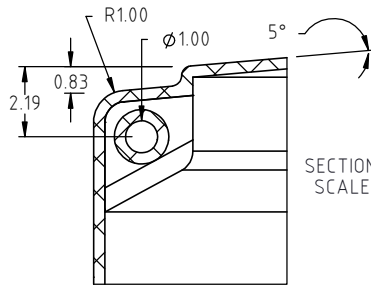
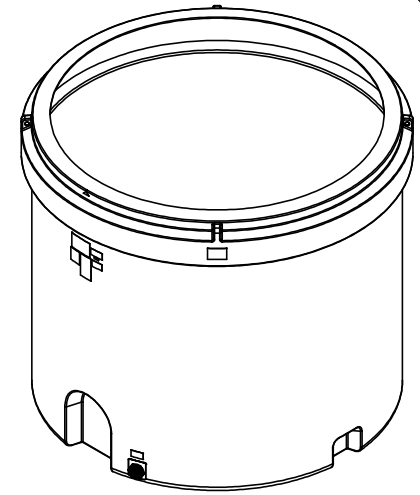
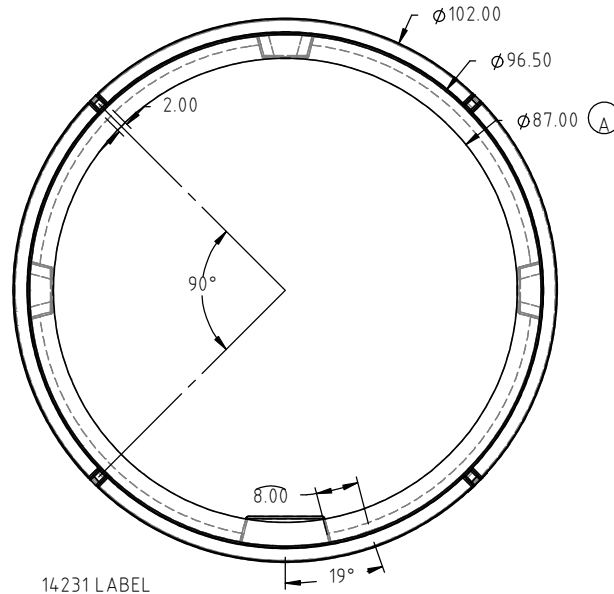
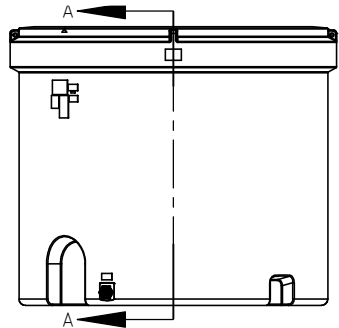


860 Johnson Drive
Delano, MN 55328
www.fluidall.com

DESCRIPTION 2000 GALLON DUAL LINE™ TANK-INNER TANK-1 OF 2	
SCALE N.S.	PART NO. CDW2000A

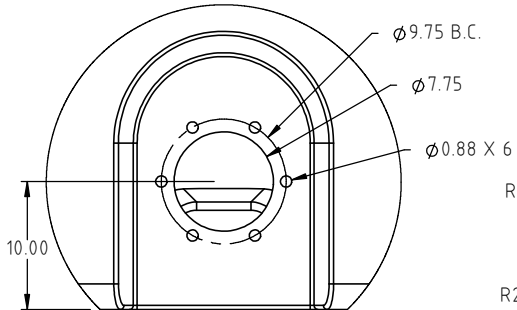
CDW2000A

A

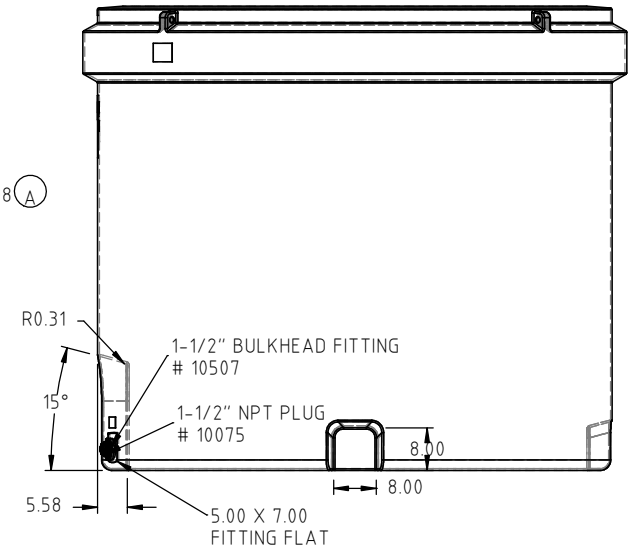
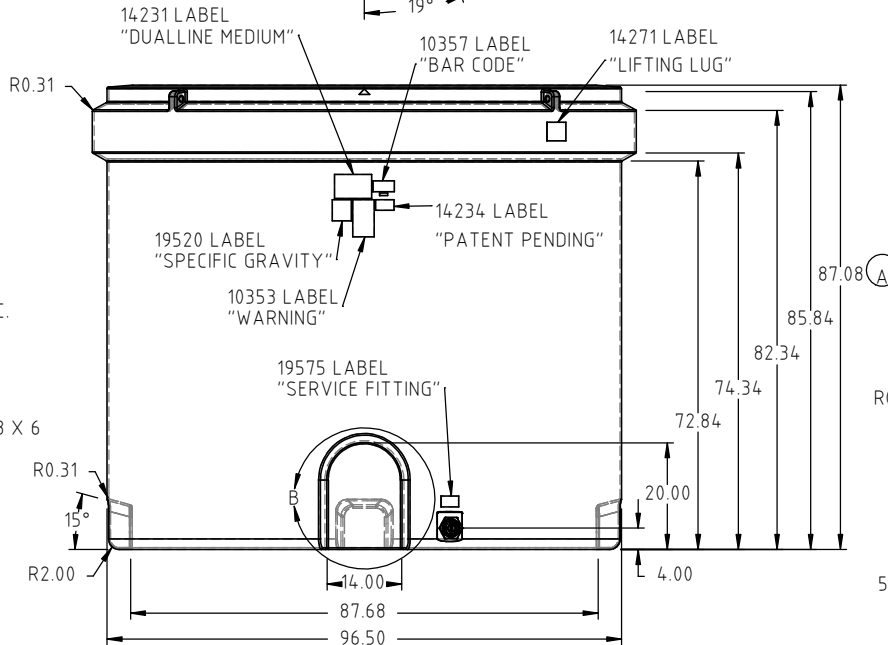


SECTION A-A
SCALE 1:6

FITTING OPTIONAL



DETAIL B
SCALE 1:15



A	87.00" WAS 92.50", 87.08" WAS 86.84"	ADH 4/18/16	3168
REV	DESCRIPTION	BY / DATE	CCN
ALL DIMENSIONS ARE IN DECIMAL INCHES TOLERANCES UNLESS OTHERWISE SPECIFIED		THIRD ANGLE PROJECTION ANS1 14.5M	
POLYETHYLENE	METAL DECIMAL ± .125" FRACTION ± 1/4" ANGLE ± 1°		
±1% @ 68°F			

DRAWN / DATE	ADH 2/18/14
APPROD. / DATE	REH 9/15/15
SHOT WEIGHT:	503 LBS
SHIPPING WEIGHT:	422 LBS.
FINISH:	

MATERIAL	10420
NOTES:	1.) 0.35 NOM. WALL THICKNESS 2.) PATENT 9,162,816

		860 Johnson Drive Delano, MN 55328 www.fluidall.com	
DESCRIPTION		2000 GALLON DUAL LINE™ TANK- OUTER TANK	
SCALE	N.S.	PART NO.	CDW2000A



CDW2000A DOUBLE WALL TANK STANDARD COMPONENTS

