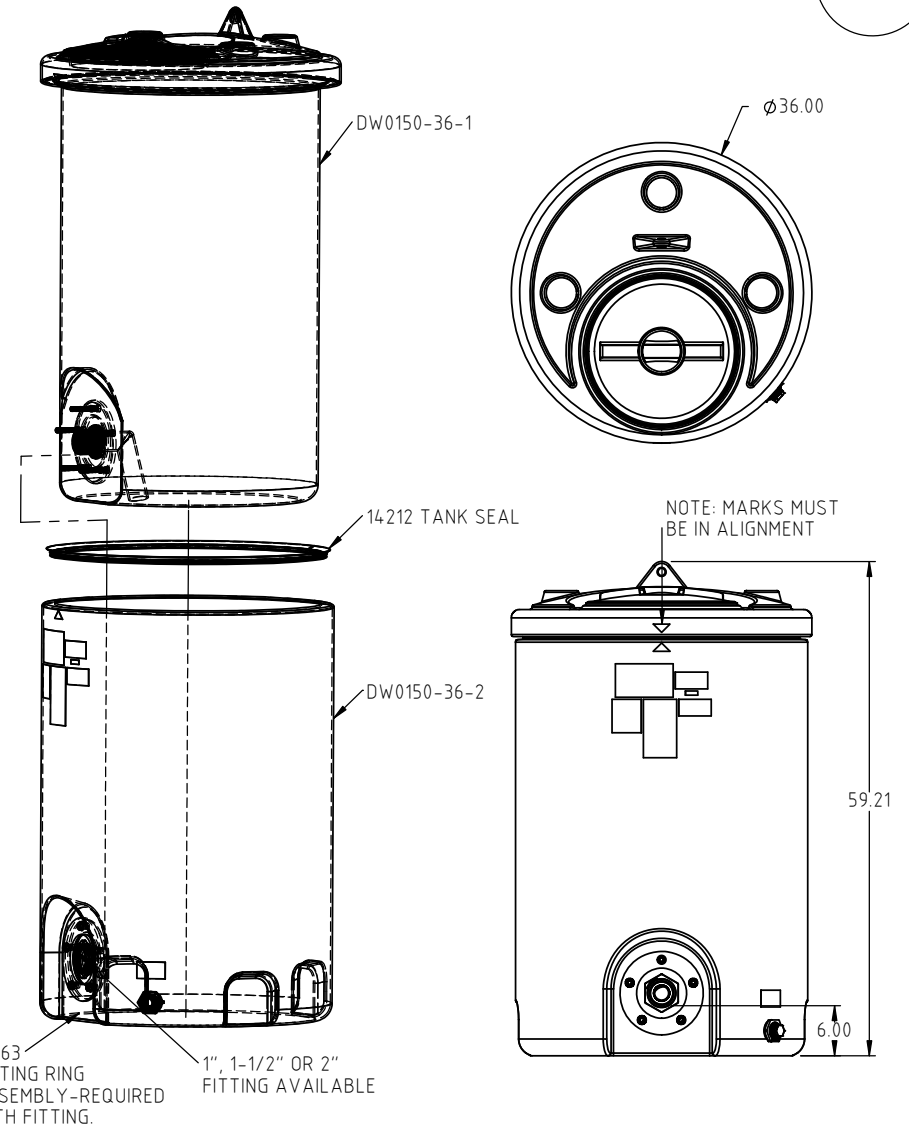
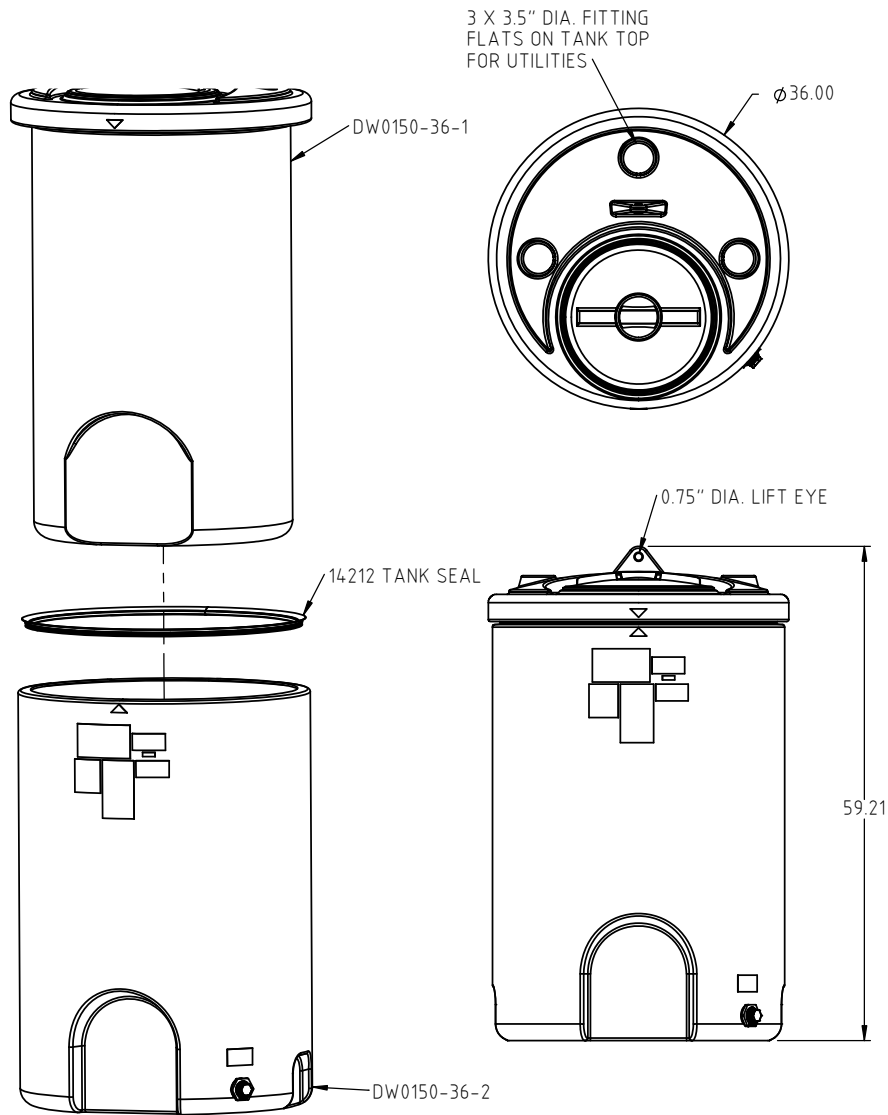


STANDARD TANK ASSEMBLY

TANK ASSEMBLY WITH  
OPTIONAL FITTING

CDW150A



		DRAWN / DATE ADH 8/28/14		MATERIAL SEE NOTE 1.	
		APPRD. / DATE REH 10/17/14			
REV	DESCRIPTION	BY / DATE	CCN	NOTES:	
ALL DIMENSIONS ARE IN DECIMAL INCHES TOLERANCES UNLESS OTHERWISE SPECIFIED		THIRD ANGLE PROJECTION ANSI 14.5M		1.) REFERENCE COMPONENT PRINTS FOR DETAILS	
POLYETHYLENE		METAL DECIMAL ± .125" FRACTION ± 1/4" ANGLE ± 1°		2.) PATENT PENDING	
±1% @ 68°F				SHIPPING WEIGHT: STANDARD = 99 LBS.	
		FINISH:		SCALE N.S.	



860 Johnson Drive  
Delano, MN 55328  
www.fluidall.com

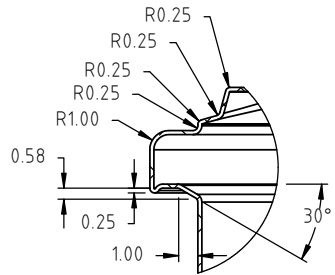
---

DESCRIPTION 150 GALLON DUAL LINE™ TANK ASSEMBLY

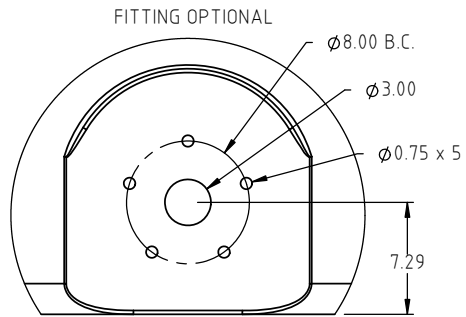
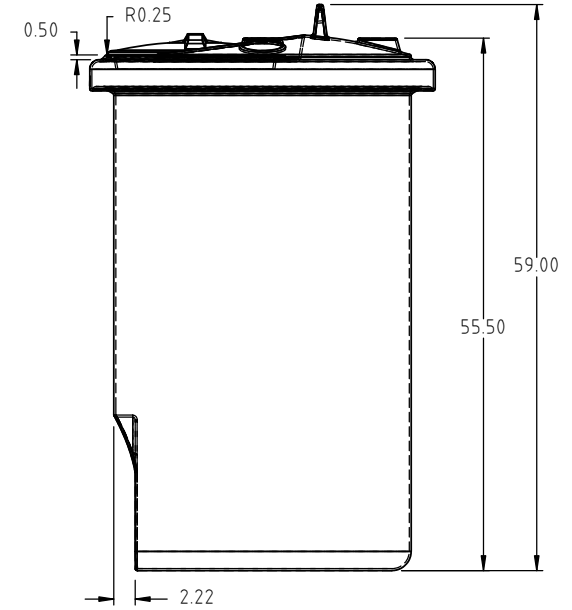
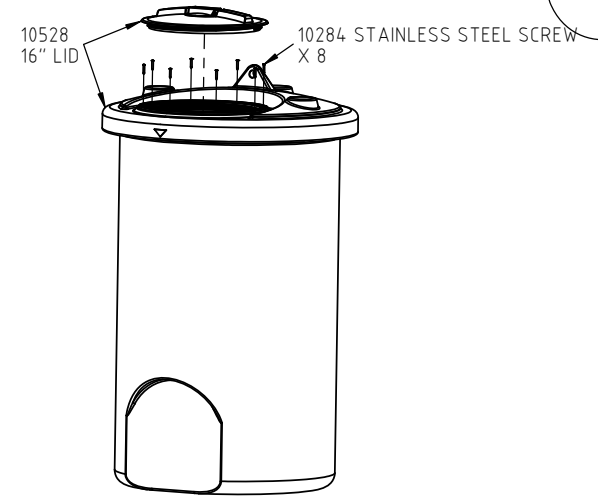
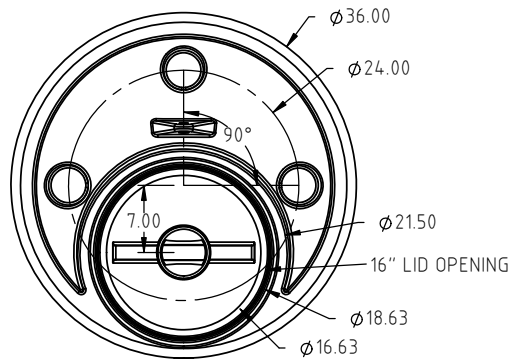
---

PART NO. CDW150A

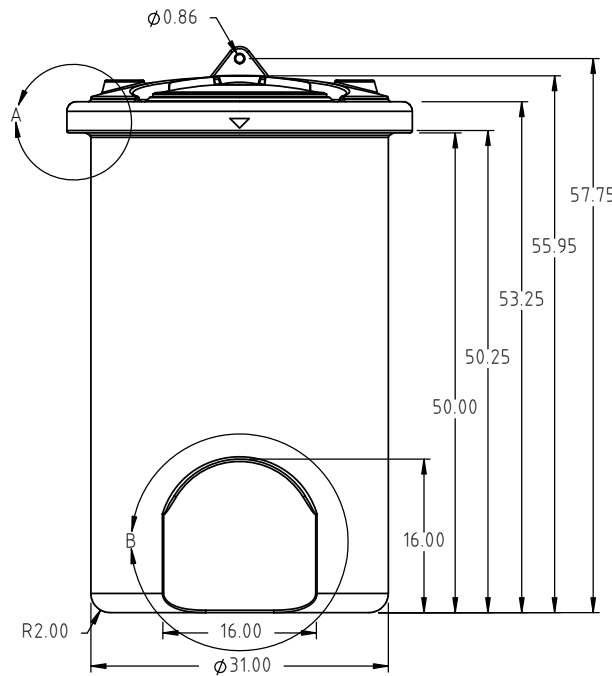
CDW150A



DETAIL A  
SCALE 1:10



DETAIL B  
SCALE 2:25



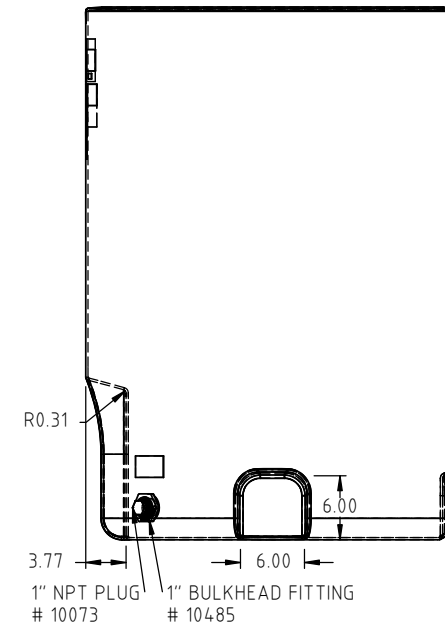
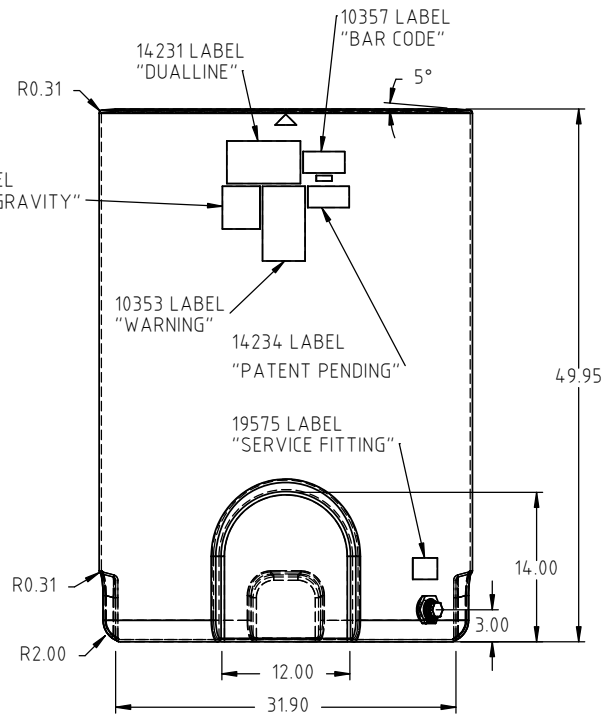
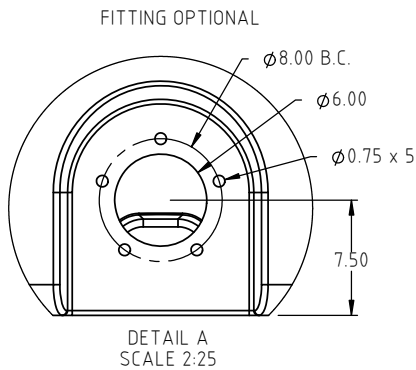
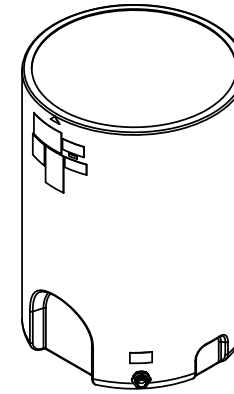
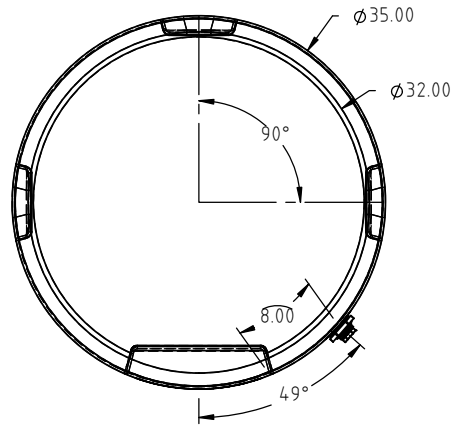
REV	DESCRIPTION	BY / DATE	CCN	DRAWN / DATE ADH 2/19/14	MATERIAL 10420
				APPRD. / DATE REH 10/17/14	
ALL DIMENSIONS ARE IN DECIMAL INCHES TOLERANCES UNLESS OTHERWISE SPECIFIED		THIRD ANGLE PROJECTION ANSI 14.5M		SHOT WEIGHT: 51 LBS	NOTES: 1.) 0.210 NOM. WALL THICKNESS 2.) PATENT PENDING
POLYETHYLENE		MATERIAL DECIMAL ± .125" FRACTION ± 1/4" ANGLE ± 1°		SHIPPING WEIGHT:	
±1% @ 68°F				FINISH:	SCALE N.S.



860 Johnson Drive  
Delano, MN 55328  
www.fluidall.com

DESCRIPTION 150 GALLON DUAL LINE™ TANK-INNER TANK	
PART NO. CDW150A	

CDW150A



		DRAWN / DATE ADH 2/19/14		MATERIAL 10420
		APPRD. / DATE REH 10/17/14		
REV	DESCRIPTION	BY / DATE	CCN	
ALL DIMENSIONS ARE IN DECIMAL INCHES TOLERANCES UNLESS OTHERWISE SPECIFIED		THIRD ANGLE PROJECTION ANSI 14.5M		SHOT WEIGHT: 52 LBS
POLYETHYLENE		METAL DECIMAL ± .125" FRACTION ± 1/4" ANGLE ± 1°		SHIPPING WEIGHT: 46 LBS.
±1% @ 68°F				FINISH:
				NOTES: 1.) 0.210 NOM. WALL THICKNESS 2.) PATENT PENDING



860 Johnson Drive  
Delano, MN 55328  
www.fluidall.com

DESCRIPTION		150 GALLON DUAL LINE™ TANK- OUTER TANK	
SCALE	N.S.	PART NO.	CDW150A