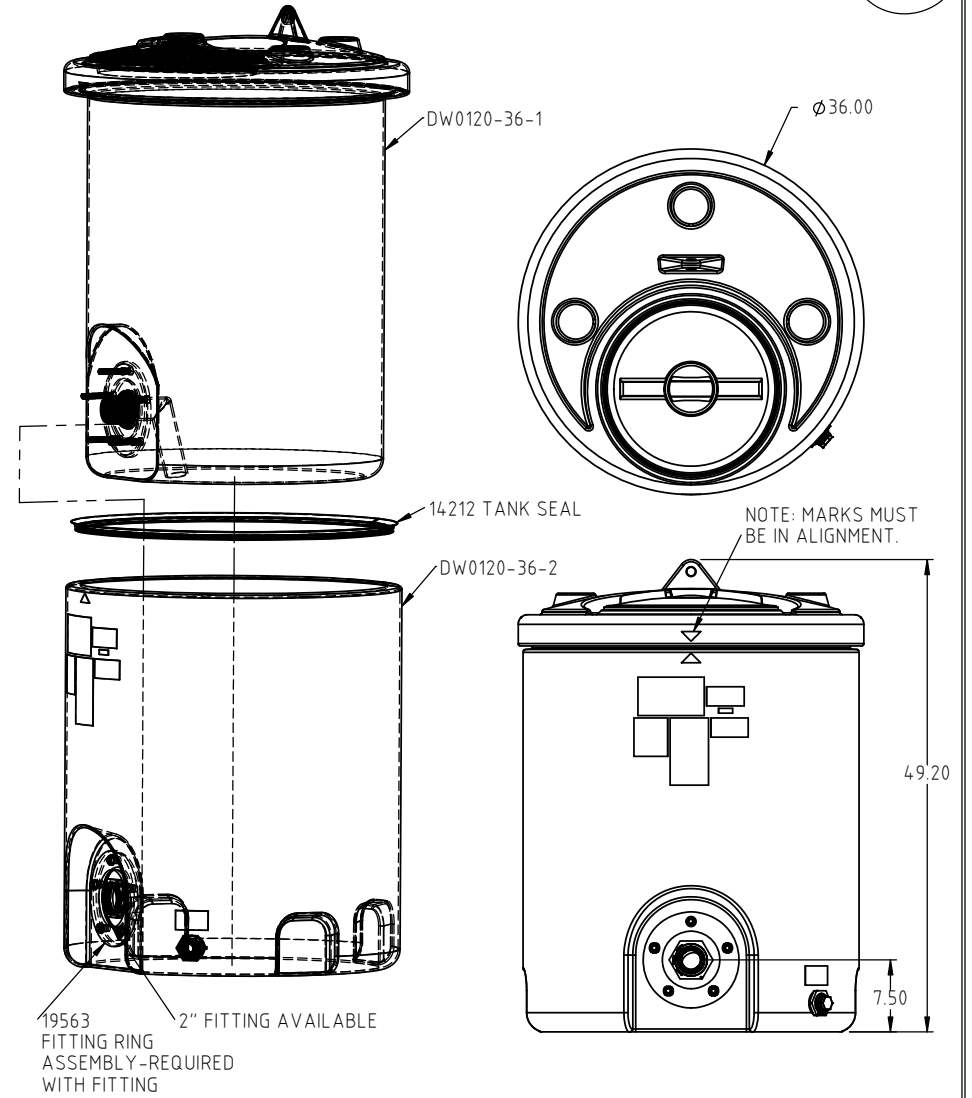
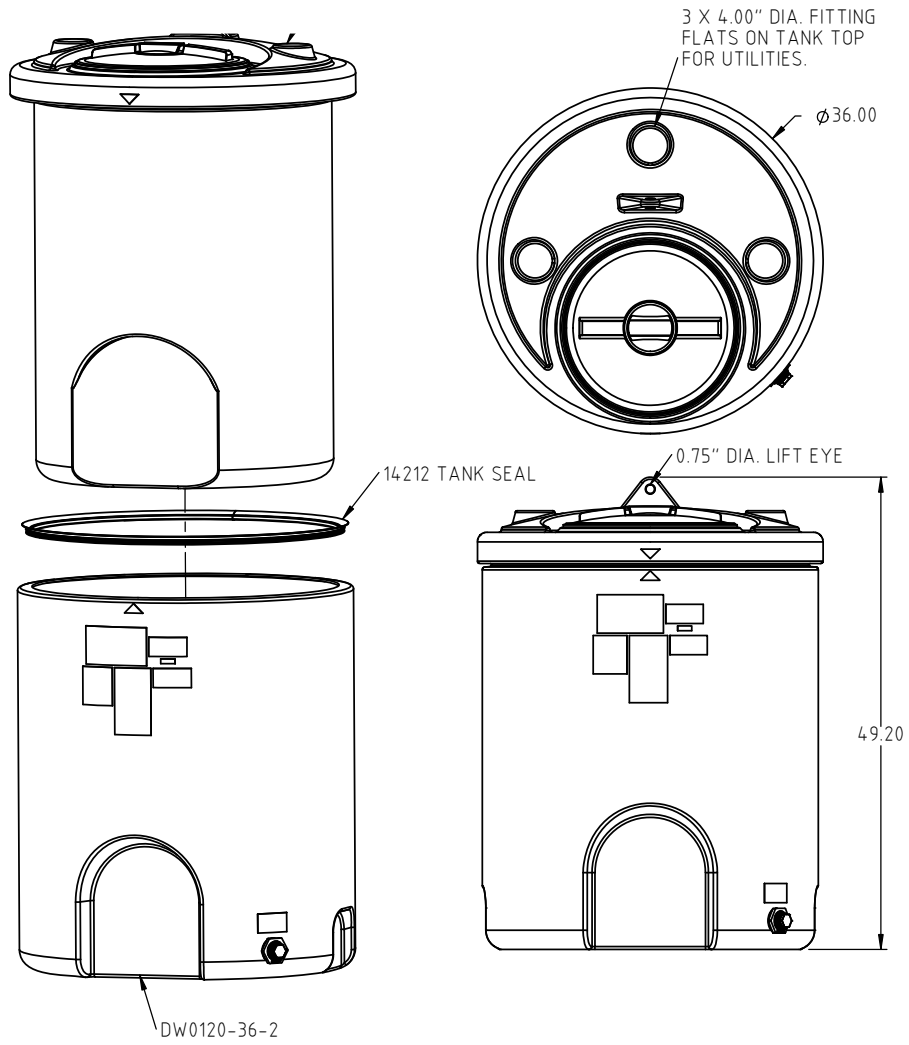


STANDARD TANK ASSEMBLY

TANK ASSEMBLY WITH
OPTIONAL FITTING

CDW120A



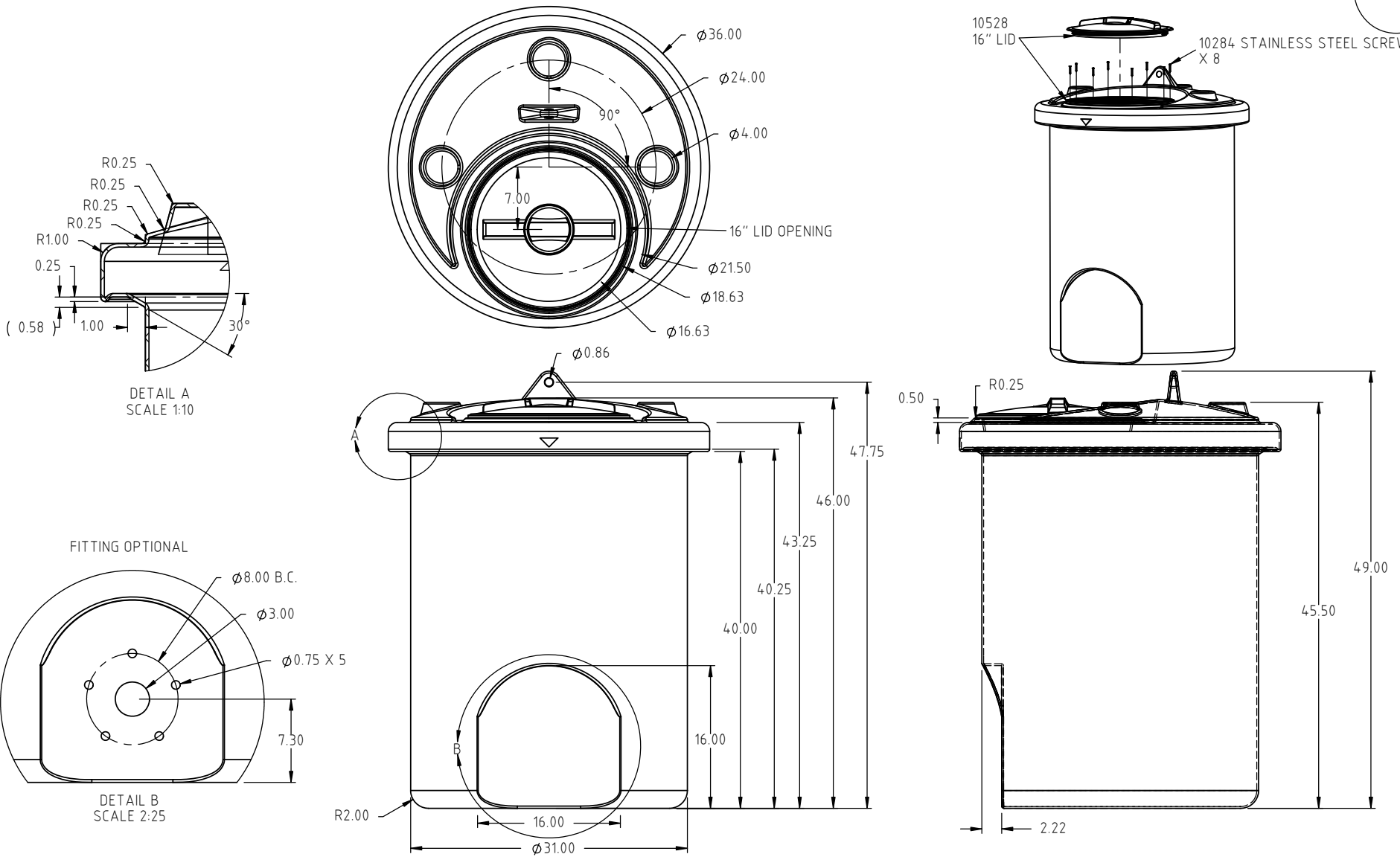
				DRAWN / DATE ADH 8/28/14	MATERIAL SEE NOTE 1
				APPRD. / DATE REH 2/13/15	
REV	DESCRIPTION	BY / DATE	CCN		
ALL DIMENSIONS ARE IN DECIMAL INCHES TOLERANCES UNLESS OTHERWISE SPECIFIED		THIRD ANGLE PROJECTION ANSI 14.5M		SHOT WEIGHT:	NOTES: 1.) REFERENCE COMPONENT PRINTS FOR DETAILS 2.) PATENT PENDING
POLYETHYLENE ±1% @ 68°F		METAL DECIMAL ± .125" FRACTION ± 1/4" ANGLE ± 1°		SHIPPING WEIGHT: 81 LBS. (STANDARD)	
		FINISH:			



860 Johnson Drive
Delano, MN 55328
www.fluidall.com

DESCRIPTION 120 GALLON DUAL LINE™ TANK ASSEMBLY	
SCALE N.S.	PART NO. CDW120A

CDW120A



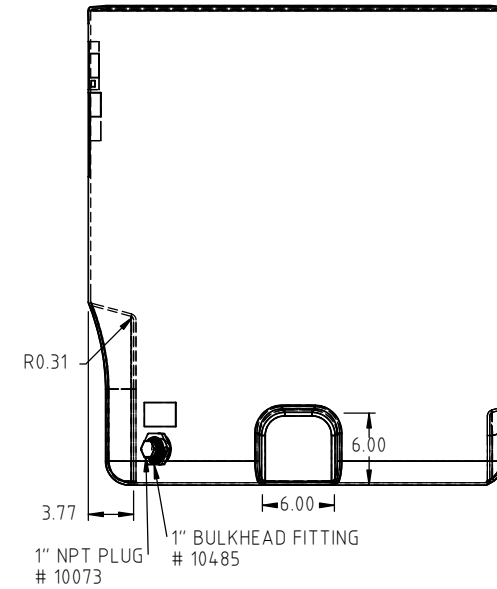
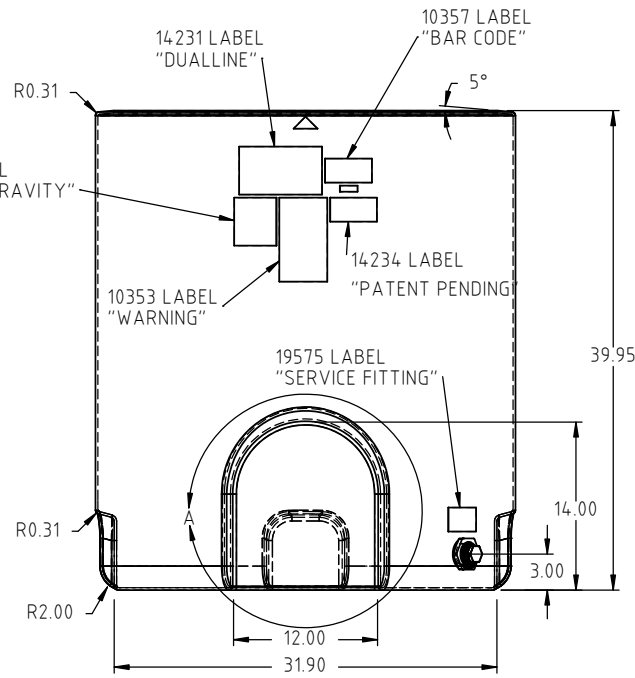
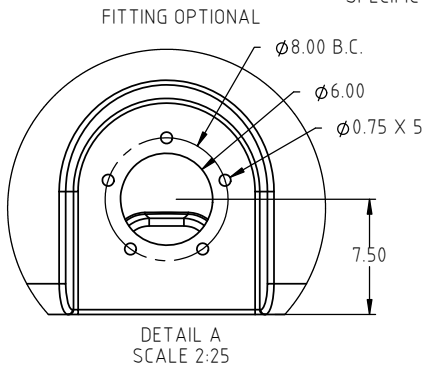
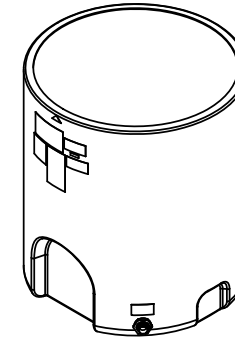
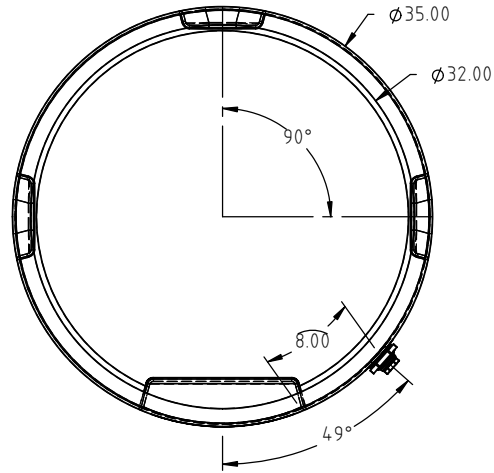
				DRAWN / DATE ADH 2/19/14	MATERIAL 10420
				APPRD. / DATE REH 2/13/15	
REV	DESCRIPTION	BY / DATE	CCN		
ALL DIMENSIONS ARE IN DECIMAL INCHES TOLERANCES UNLESS OTHERWISE SPECIFIED		THIRD ANGLE PROJECTION ANSI 14.5M		SHOT WEIGHT: 42 LBS	NOTES: 1.) 0.200 NOM. WALL THICKNESS 2.) PATENT PENDING
POLYETHYLENE		METAL DECIMAL ± .125" FRACTION ± 1/4" ANGLE ± 1°		SHIPPING WEIGHT:	
±1% @ 68°F				FINISH:	



860 Johnson Drive
Delano, MN 55328
www.fluidall.com

DESCRIPTION 120 GALLON DUAL LINE™ TANK-INNER TANK	
SCALE N.S.	PART NO. CDW120A

CDW120A



				DRAWN / DATE ADH 2/19/14	MATERIAL 10420
				APPRD. / DATE REH 10/20/14	
REV	DESCRIPTION	BY / DATE	CCN		
ALL DIMENSIONS ARE IN DECIMAL INCHES TOLERANCES UNLESS OTHERWISE SPECIFIED POLYETHYLENE		THIRD ANGLE PROJECTION ANSI 14.5M		SHOT WEIGHT: 43 LBS. SHIPPING WEIGHT: 37 LBS. FINISH:	NOTES: 1.) 0.200 NOM. WALL THICKNESS 2.) PATENT PENDING
±1% @ 68°F METAL DECIMAL ± .125" FRACTION ± 1/4" ANGLE ± 1°					



860 Johnson Drive
Delano, MN 55328
www.fluidall.com

DESCRIPTION		120 GALLON DUAL LINE™ TANK- OUTER TANK	
SCALE	N.S.	PART NO.	CDW120A