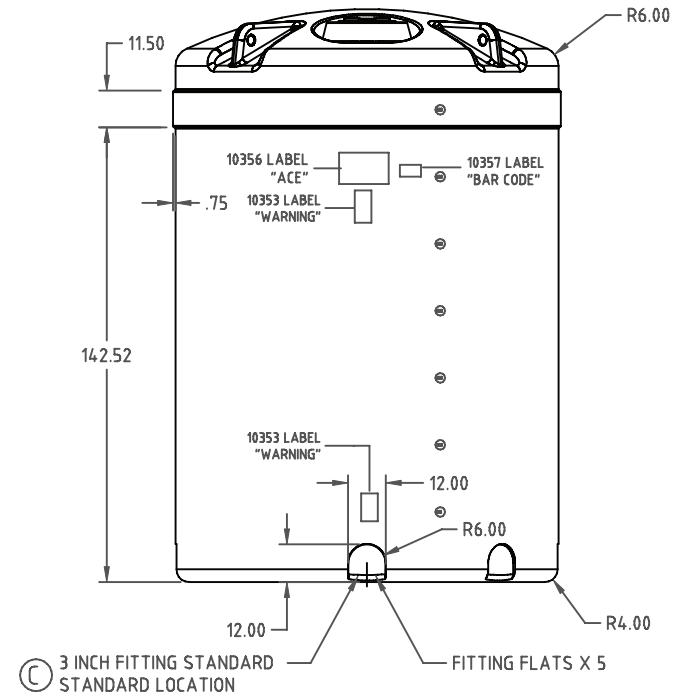
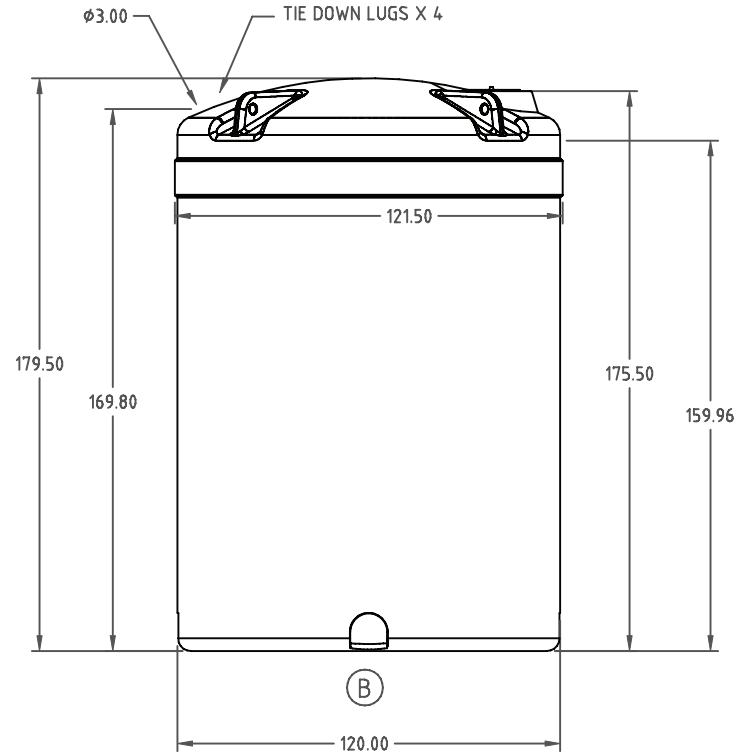
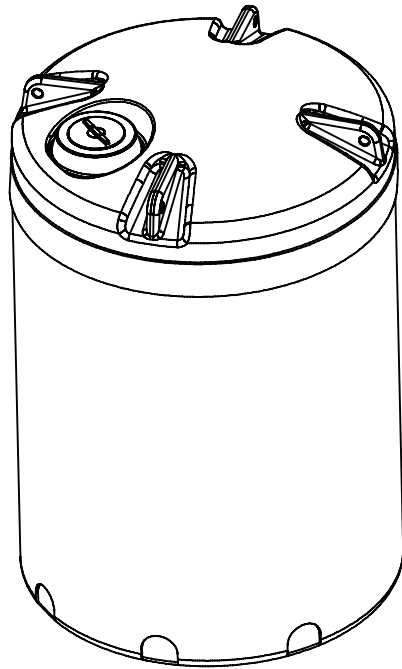
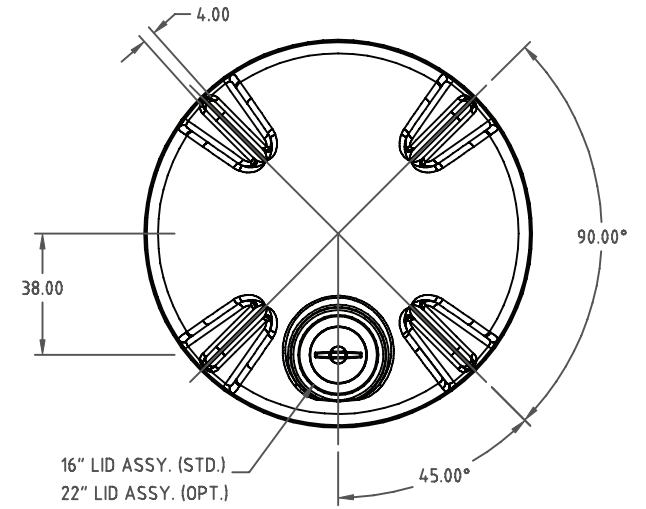
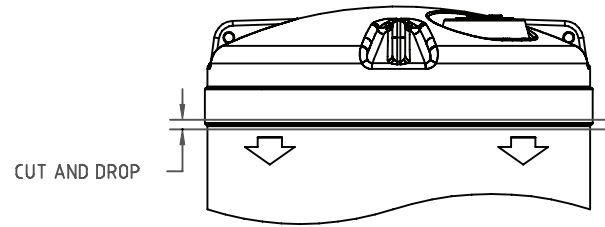


TANK MAY BE CONVERTED FOR A BOLT- ON TOP. CUT TANK AS SHOWN. TANK CAN THEN BE USED IN APPLICATIONS REQUIRING A REMOVEABLE TOP.



TITLE: C8000A

DESCRIPTION:
8,000 GALLON VERTICAL TANK

SHOT WEIGHT: 1930.00 LBS.
SHIPPING WEIGHT: 1932.00 LBS

NOTES:
POLYETHYLENE ± 1% @ 68°F
METAL DECIMAL ± .125"
FRACTION ± 1/4"
ANGLE ± 1°

ⓑ 1.03 WALL@FLAT

MATERIAL: 2 MELT POWDER 10538
REV.: (A) CHANGED PART NO.
(B) CORRECT VIEW PERSPECTIVE.
DRAWING TEMPLATE UPDATED.
ADD THICKNESS. (C) ADDED
STANDARD FITTING & LOCATION

DRAWN: SK

DATE: 10/3/16

REV: 1

SCALE: N/A

PROPRIETARY INFORMATION

THE INFORMATION ON THIS DOCUMENT IS THE PROPERTY OF FLUIDALL, LLC. DOCUMENT IS SUBJECT TO RETURN UPON DEMAND AND MAY NOT BE REPRODUCED OR DISCLOSED WITHOUT THE WRITTEN PERMISSION OF FLUIDALL, LLC.



860 Johnson Drive
Delano, MN 55328
www.fluidall.com