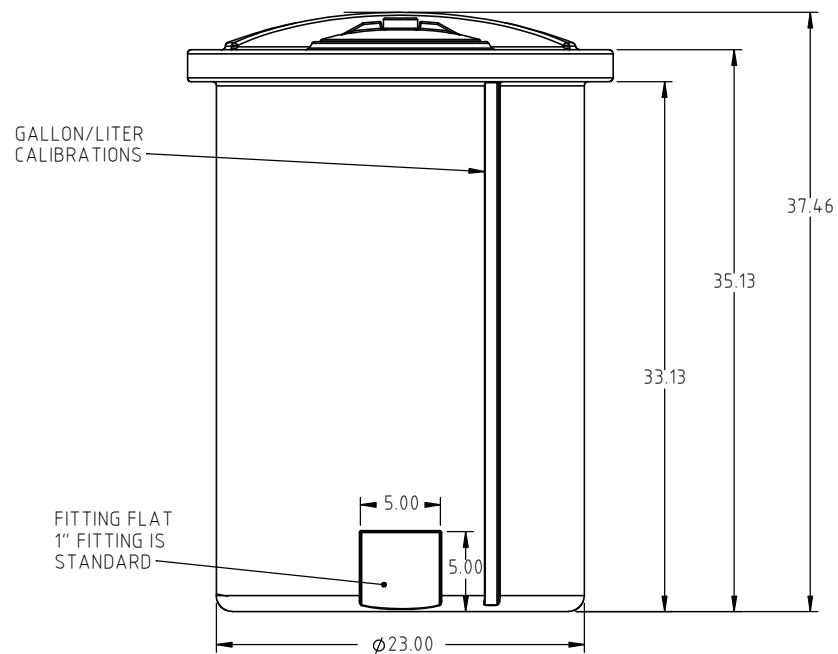
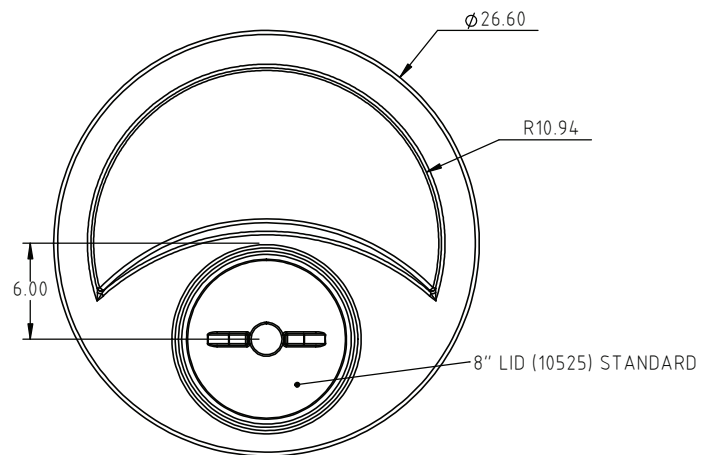


OP023-STP POLY STAND



TITLE: C55FTA
DESCRIPTION:
 55 GALLON VERTICAL TANK

MATERIAL: 10420
POLYETHYLENE:
 $\pm 1\%$ @ 68°F
METAL:
 DECIMAL $\pm .125$ "
 FRACTION $\pm 1/4$ "
 ANGLE $\pm 1^\circ$

SHOT WEIGHT: 24 LBS.
SHIPPING WEIGHT: 26 LBS.
WALL THICKNESS: 0.19

DRAWN: SK
DATE: 10/3/16
REV: 1
SCALE: N/A

PROPRIETARY INFORMATION
 THE INFORMATION ON THIS DOCUMENT IS THE PROPERTY OF FLUIDALL, LLC. DOCUMENT IS SUBJECT TO RETURN UPON DEMAND AND MAY NOT BE REPRODUCED OR DISCLOSED WITHOUT THE WRITTEN PERMISSION OF FLUIDALL, LLC.

FLUIDALL
 860 Johnson Drive
 Delano, MN 55328
 www.fluidall.com