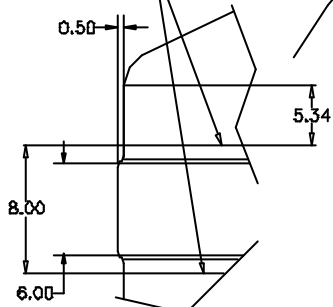
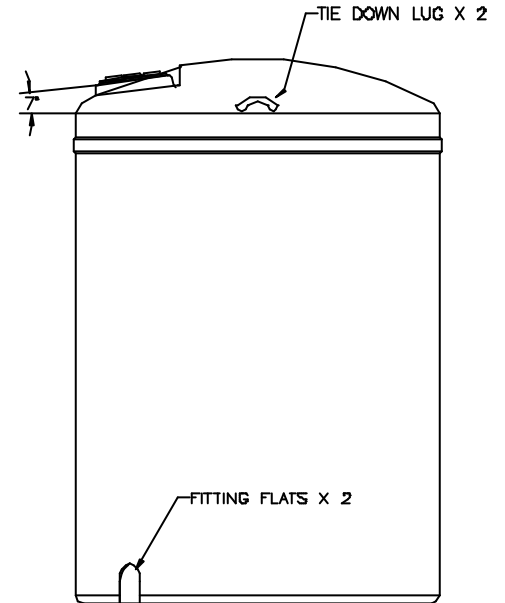
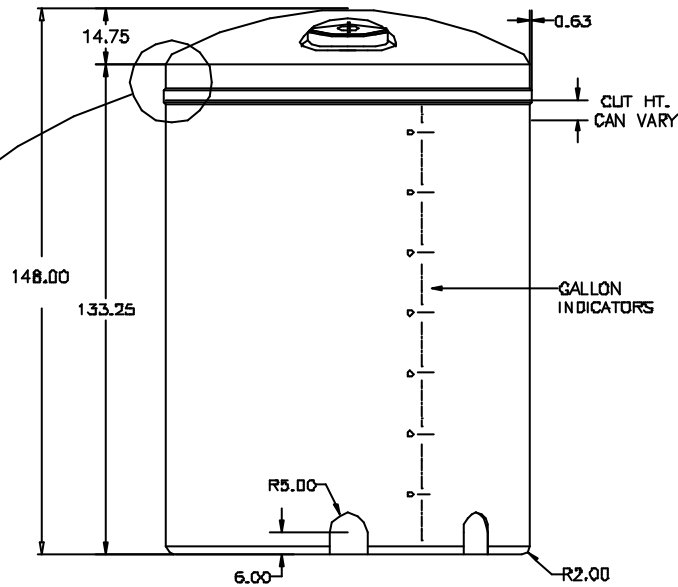


- FEATURES**
1. 1 PIECE ROTATIONALLY MOLDED CONSTRUCTION
  2. TRANSLUCENT COLORS
  3. FDA APPROVED RESIN
  4. UV STABILIZED
  5. CALIBRATED IN GALLONS
  6. THREE YEAR WARRANTY

PLACE TANK FLANGES HERE



SCALE X 3



**TITLE:** C4200A

**DESCRIPTION:**  
4,200 GALLON VERTICAL  
TANK

**NOTES:**  
POLYETHYLENE ± 1% @ 68°F  
METAL DECIMAL ± .125"  
FRACTION ± 1/4"  
ANGLE ± 1°

**SHOT WEIGHT:** 950 LBS.  
**MATERIAL:** HDPE OR EQUIVALENT  
**NOTES:** BLUE, BLACK, WHITE OR YELLOW COLOR  
**REV.:**

**DRAWN:** SK

**DATE:** 10/3/16

**REV:** 1

**SCALE:** N/A

**PROPRIETARY INFORMATION**  
THE INFORMATION ON THIS  
DOCUMENT IS THE PROPERTY  
OF FLUIDALL, LLC. DOCUMENT  
IS SUBJECT TO RETURN UPON  
DEMAND AND MAY NOT BE  
REPRODUCED OR DISCLOSED  
WITHOUT THE WRITTEN  
PERMISSION OF FLUIDALL, LLC.



860 Johnson Drive  
Delano, MN 55328  
www.fluidall.com