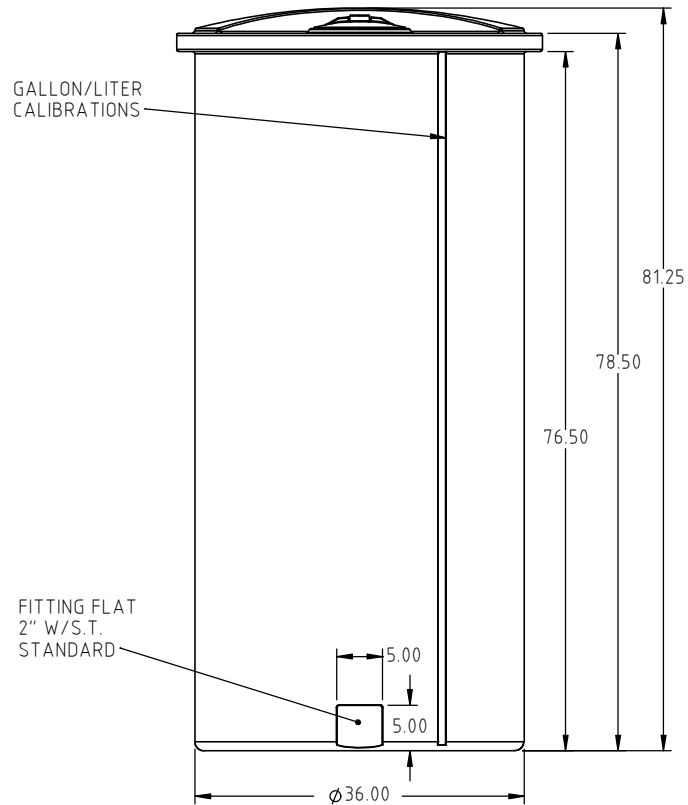
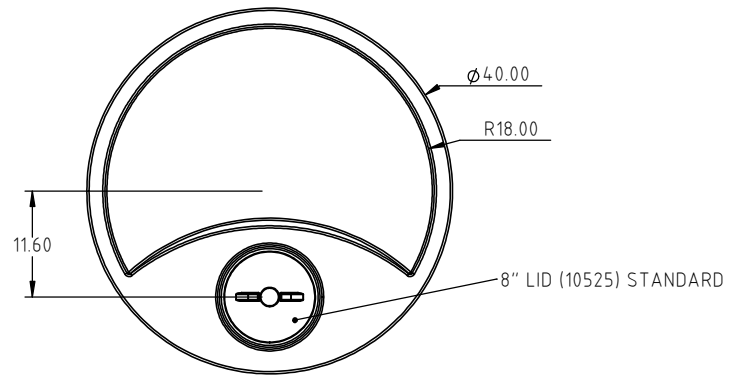


OC036-STP POLY STAND



**TITLE:** C325FTA

**DESCRIPTION:**  
325 GALLON VERTICAL TANK

**NOTES:**  
POLYETHYLENE  $\pm 1\%$  @ 68°F  
METAL DECIMAL  $\pm .125''$   
FRACTION  $\pm 1/4''$   
ANGLE  $\pm 1^\circ$

.22 WALL

**SHOT WEIGHT:** 90 LBS.  
**SHIPPING WEIGHT:** 92 LBS.  
**MATERIAL:** 10420  
**NOTES:**  
**REV.:**

**DRAWN:** SK

**DATE:** 10/3/16

**REV:** 1

**SCALE:** N/A

**PROPRIETARY INFORMATION**  
THE INFORMATION ON THIS DOCUMENT IS THE PROPERTY OF FLUIDALL, LLC. DOCUMENT IS SUBJECT TO RETURN UPON DEMAND AND MAY NOT BE REPRODUCED OR DISCLOSED WITHOUT THE WRITTEN PERMISSION OF FLUIDALL, LLC.



860 Johnson Drive  
Delano, MN 55328  
www.fluidall.com