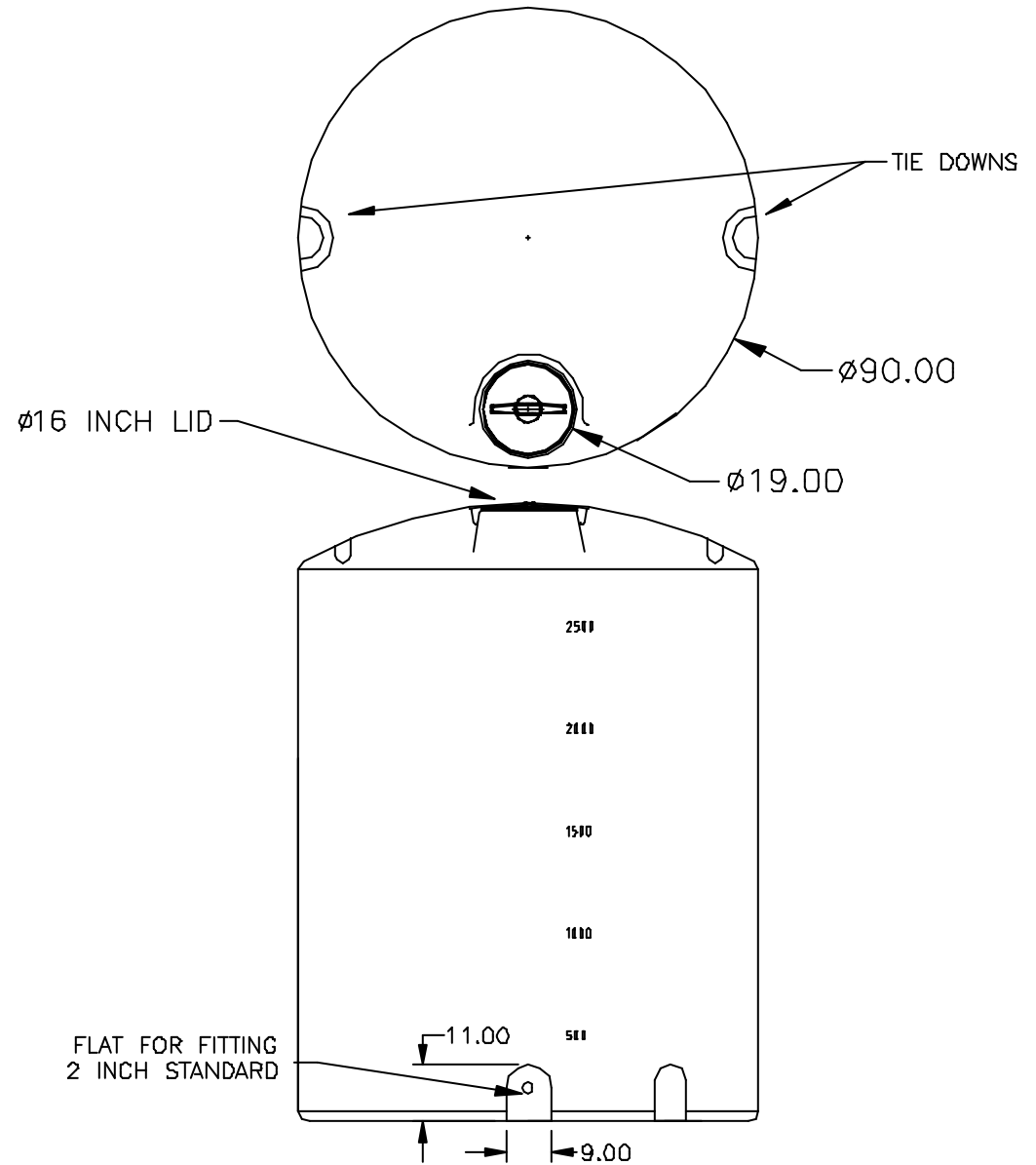
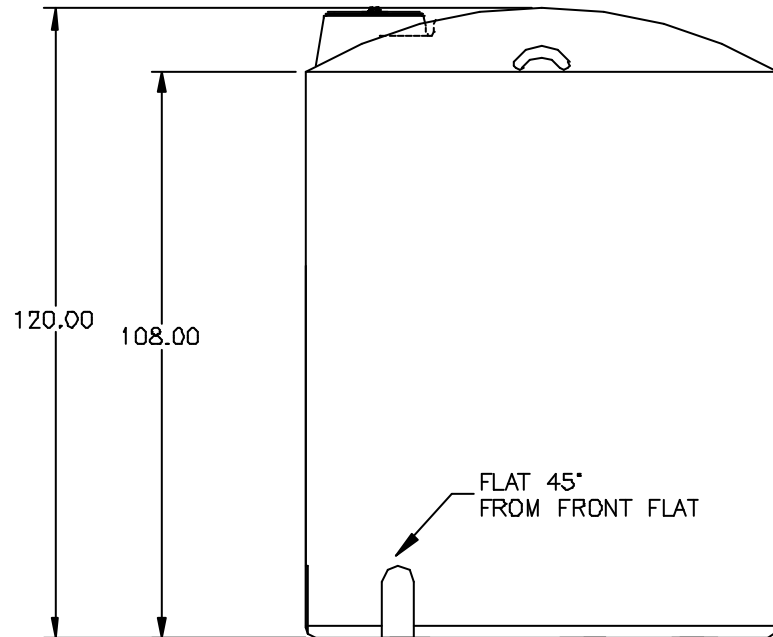


**FEATURES**

1. HEAVY DUTY POLYETHYLENE CONSTRUCTION
2. 1 PIECE ROTATIONALLY MOLDED
3. TRANSLUCENT
4. FDA APPROVED RESIN
5. CALIBRATED IN GALLONS
6. THREE YEAR WARRANTY
7. UV STABILIZED
8. SPECIFIC GRAVITY RATING IS 1.71



**TITLE:** C3000A

**DESCRIPTION:**  
3,000 GALLON VERTICAL TANK

**NOTES:**  
POLYETHYLENE ± 1% @ 68°F  
METAL DECIMAL ± .125"  
FRACTION ± 1/4"  
ANGLE ± 1°  
  
.49 WALL

**SHOT WEIGHT:** 550 LBS.  
**MATERIAL:** HDPE OR EQUIVALENT  
**NOTES:** BLUE, GREEN, YELLOW, BLACK OR WHITE COLOR  
**REV.:** FINALIZE PART 09/08/05

**DRAWN:** SK

**DATE:** 10/3/16

**REV:** 1

**SCALE:** N/A

**PROPRIETARY INFORMATION**  
THE INFORMATION ON THIS DOCUMENT IS THE PROPERTY OF FLUIDALL, LLC. DOCUMENT IS SUBJECT TO RETURN UPON DEMAND AND MAY NOT BE REPRODUCED OR DISCLOSED WITHOUT THE WRITTEN PERMISSION OF FLUIDALL, LLC.

**FLUIDALL**  
860 Johnson Drive  
Delano, MN 55328  
www.fluidall.com