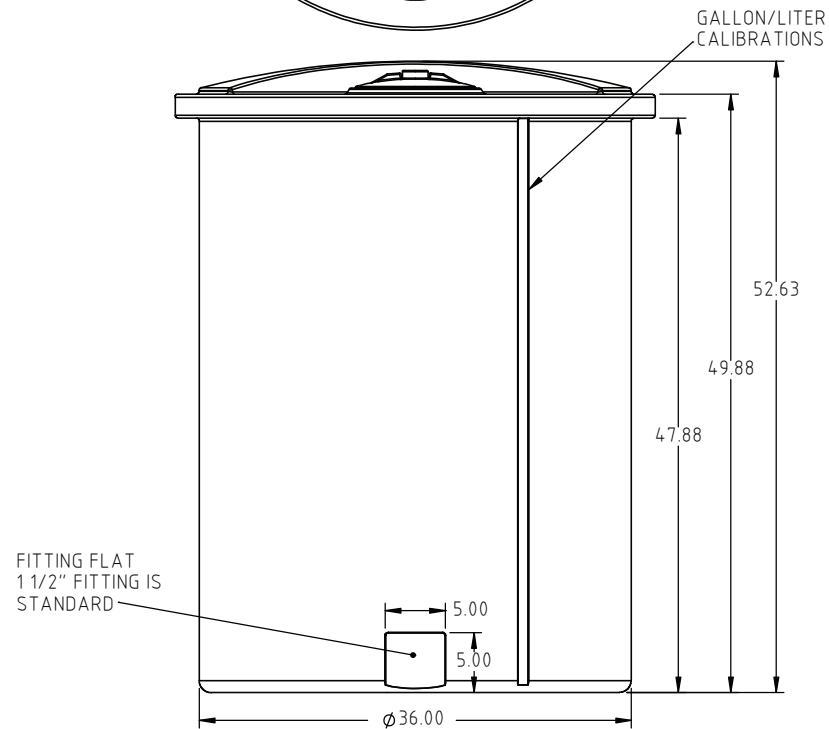
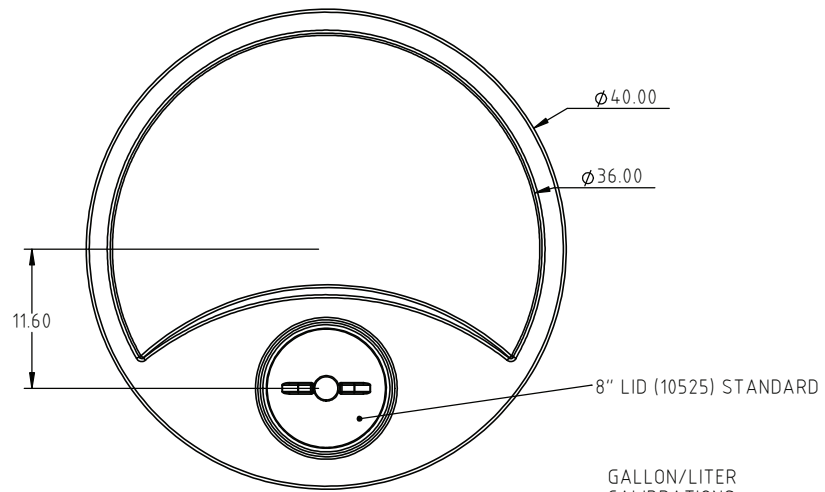


OC036-STP POLY STAND



TITLE: C200FTA

DESCRIPTION:
200 GALLON VERTICAL TANK

MATERIAL: 10420
POLYETHYLENE:
 $\pm 1\%$ @ 68°F
METAL:
DECIMAL $\pm .125$ "
FRACTION $\pm 1/4$ "
ANGLE $\pm 1^\circ$

SHOT WEIGHT: 56 LBS.
SHIPPING WEIGHT: 58 LBS.
WALL THICKNESS: 0.20

DRAWN: SK
DATE: 10/3/16
REV: 1
SCALE: N/A

PROPRIETARY INFORMATION
THE INFORMATION ON THIS DOCUMENT IS THE PROPERTY OF FLUIDALL, LLC. DOCUMENT IS SUBJECT TO RETURN UPON DEMAND AND MAY NOT BE REPRODUCED OR DISCLOSED WITHOUT THE WRITTEN PERMISSION OF FLUIDALL, LLC.

FLUIDALL
860 Johnson Drive
Delano, MN 55328
www.fluidall.com