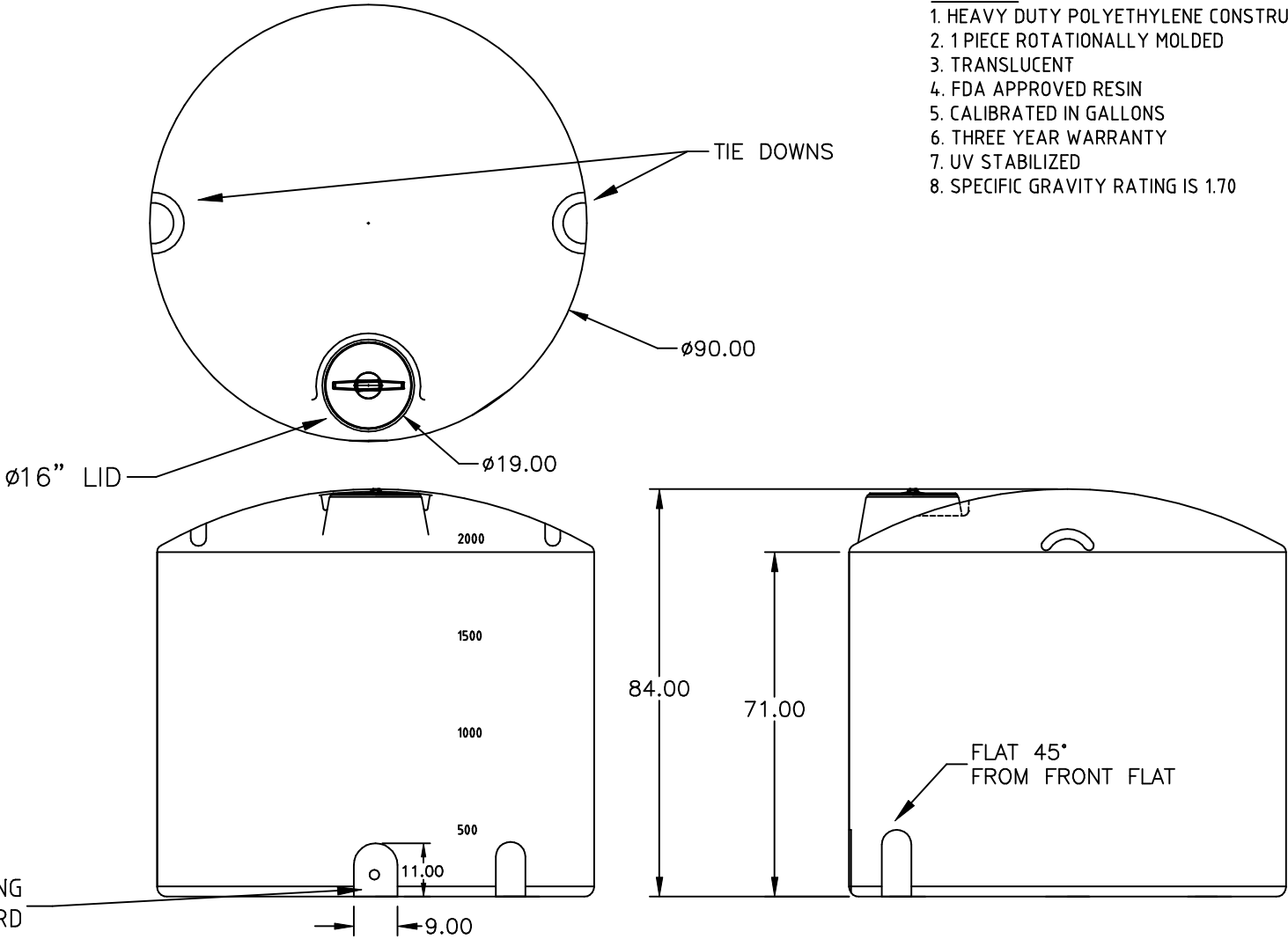


FEATURES

- 1. HEAVY DUTY POLYETHYLENE CONSTRUCTION
- 2. 1 PIECE ROTATIONALLY MOLDED
- 3. TRANSLUCENT
- 4. FDA APPROVED RESIN
- 5. CALIBRATED IN GALLONS
- 6. THREE YEAR WARRANTY
- 7. UV STABILIZED
- 8. SPECIFIC GRAVITY RATING IS 1.70



TITLE: C2000-90A

DESCRIPTION:
2,000 GALLON VERTICAL TANK

NOTES:
POLYETHYLENE ± 1% @ 68°F
METAL DECIMAL ± .125"
FRACTION ± 1/4"
ANGLE ± 1°

.350 WALL

SHOT WEIGHT: 375 LBS.
MATERIAL: HDPE OR EQUIVALENT
NOTES: WHITE, YELLOW, BLUE OR BLACK COLOR
REV.:

DRAWN: SK

DATE: 10/3/16

REV: 1

SCALE: N/A

PROPRIETARY INFORMATION
THE INFORMATION ON THIS DOCUMENT IS THE PROPERTY OF FLUIDALL, LLC. DOCUMENT IS SUBJECT TO RETURN UPON DEMAND AND MAY NOT BE REPRODUCED OR DISCLOSED WITHOUT THE WRITTEN PERMISSION OF FLUIDALL, LLC.

