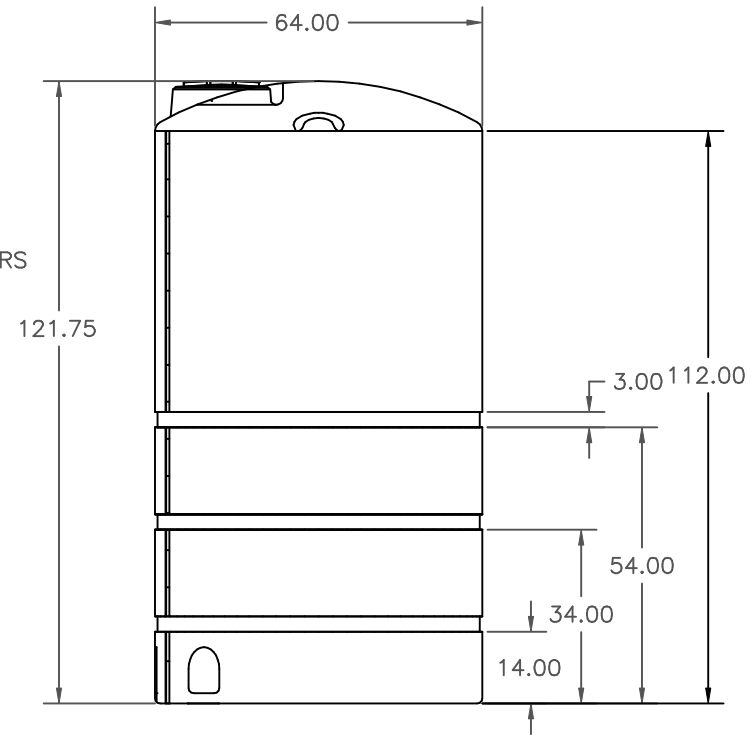
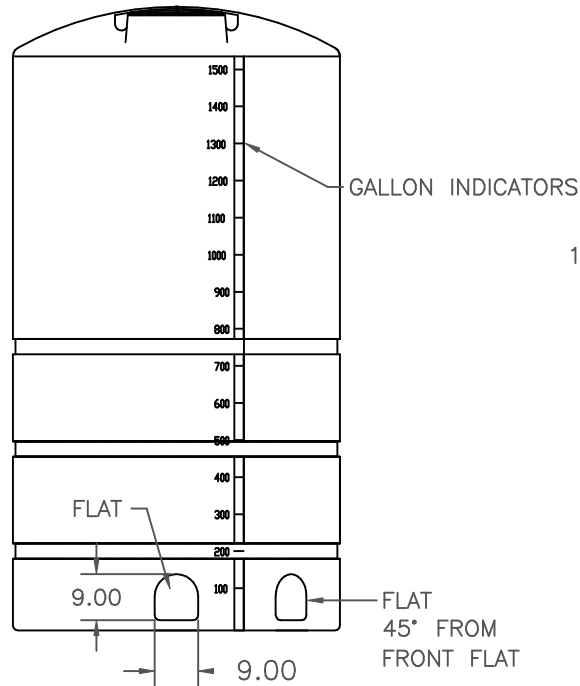


1. HEAVY DUTY POLYETHYLENE CONSTRUCTION
2. 1 PIECE ROTATIONALLY MOLDED
3. TRANSLUCENT
4. FDA APPROVED RESIN
5. CALIBRATED IN GALLONS
6. THREE YEAR WARRANTY
7. UV STABILIZED



**TITLE:** C1525A

**DESCRIPTION:**  
1,525 GALLON VERTICAL  
TANK

**NOTES:**  
POLYETHYLENE ± 1% @ 68°F  
METAL DECIMAL ± .125"  
FRACTION ± 1/4"  
ANGLE ± 1°  
  
.340 WALL

**SHOT WEIGHT:** 350 LBS.  
**MATERIAL:** HDPE OR EQUIVALENT  
**NOTES:**  
**REV.:**

**DRAWN:** SK

**DATE:** 10/3/16

**REV:** 1

**SCALE:** N/A

**PROPRIETARY INFORMATION**  
THE INFORMATION ON THIS  
DOCUMENT IS THE PROPERTY  
OF FLUIDALL, LLC. DOCUMENT  
IS SUBJECT TO RETURN UPON  
DEMAND AND MAY NOT BE  
REPRODUCED OR DISCLOSED  
WITHOUT THE WRITTEN  
PERMISSION OF FLUIDALL, LLC.



860 Johnson Drive  
Delano, MN 55328  
www.fluidall.com