

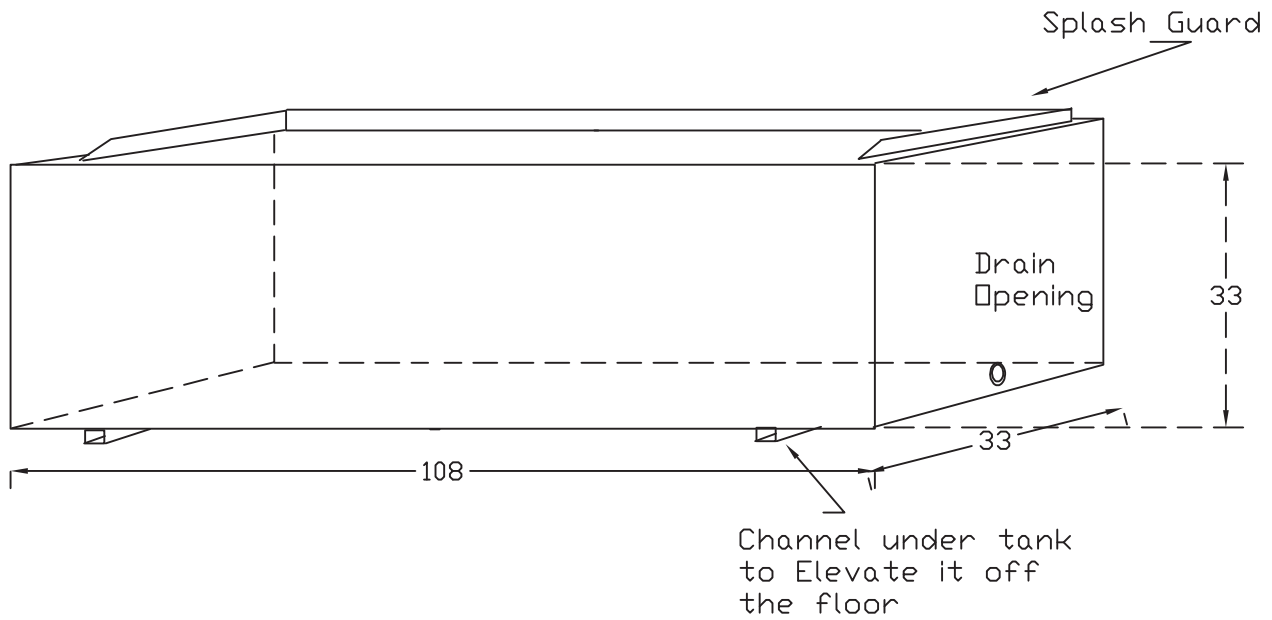
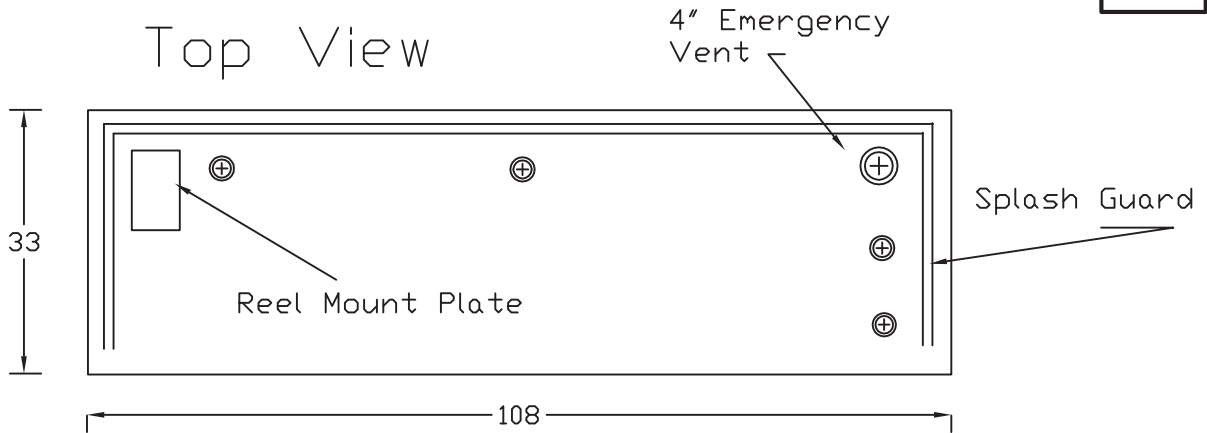
Tank Information

ZONE	REV	DESCRIPTION	DATE	APPROVED
		12 Gauge Carbon Steel Construction, UL142 Listed, Red Primer coating	Mar 2015	

FINAL APPROVED DRAWING  
 BY: \_\_\_\_\_  
 DATE: \_\_\_\_\_

2" NPT  
Openings

Top View



  
[www.fluidall.com](http://www.fluidall.com)  
 800-849-0591  
[sales@fluidall.com](mailto:sales@fluidall.com)

500SWWB			
500 Gallon Work Bench Tank, Single wall construction, standard openings, channel under tank, red primer coating			
	UL142 Listed	For Stationery Use Only	REV
SCALE	M Moran	SHEET	