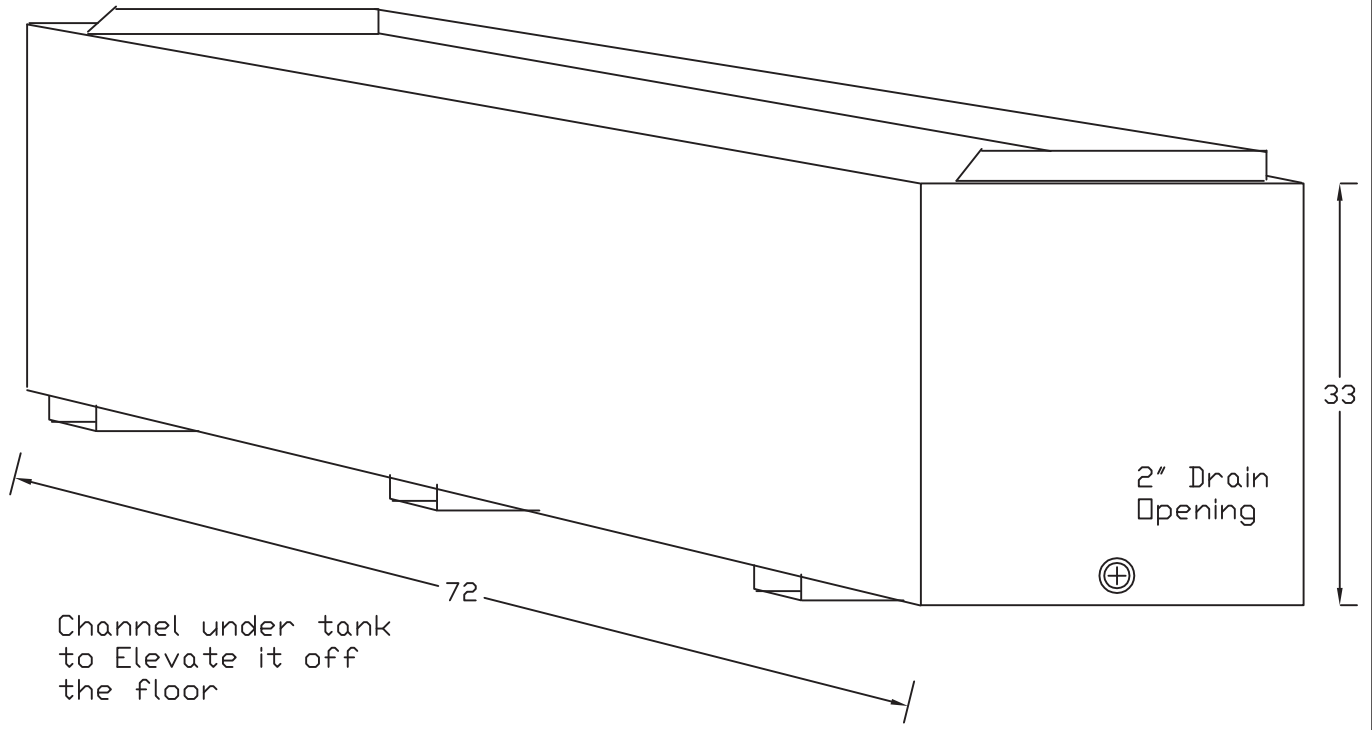
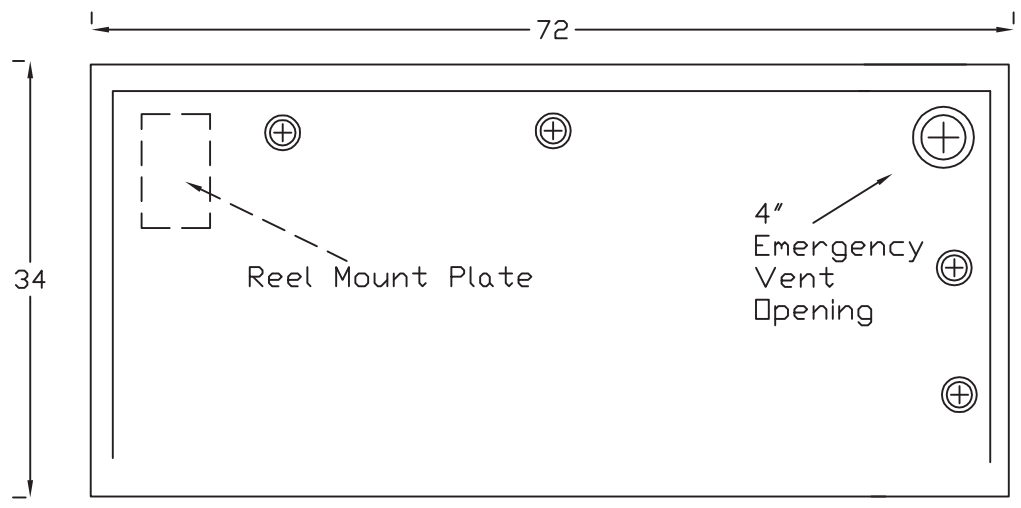



Tank Information

ZONE	REV	DESCRIPTION	DATE	APPROVED
		12 Gauge Carbon Steel Construction, UL142 Listed, Red Primer coating	Mar 2015	

FINAL APPROVED DRAWING
 BY: _____
 DATE: _____



 www.fluidall.com 800-849-0591 sales@fluidall.com	350WB		
	350 Gallon Workbench, Single Wall Construction, PDH feet, Standard Openings on top, Drain Opening, Red Primer Coating		
		UL142 Listed	For Stationery Use Only
			REV
SCALE	M Moran	SHEET	