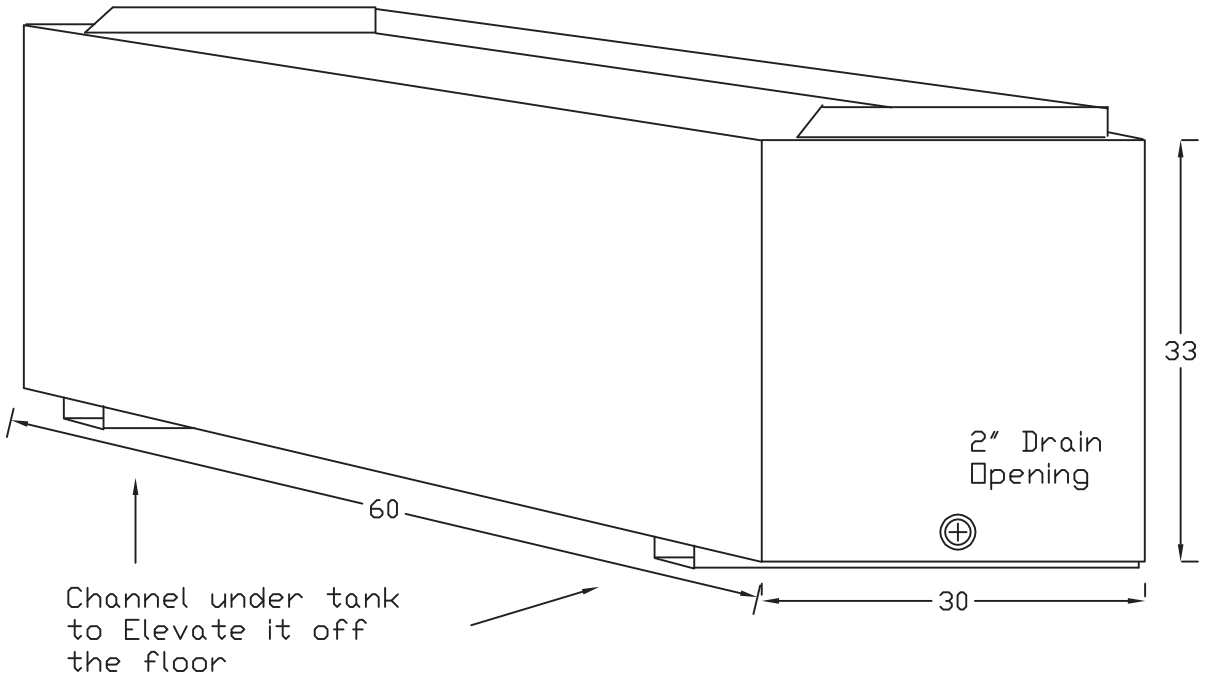
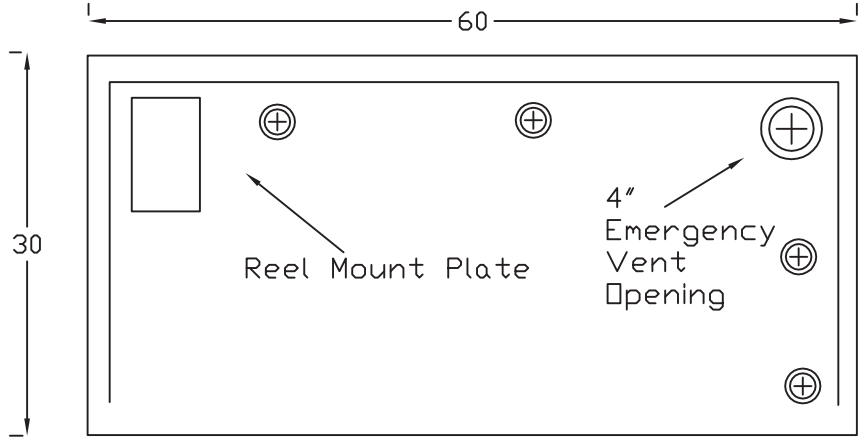


Tank Information

ZONE	REV	DESCRIPTION	DATE	APPROVED
		12 Gauge Carbon Steel Construction, UL142 Listed, Red Primer coating	Mar 2015	

FINAL APPROVED DRAWING  
 BY: \_\_\_\_\_  
 DATE: \_\_\_\_\_



  
[www.fluidall.com](http://www.fluidall.com)  
 800-849-0591  
[sales@fluidall.com](mailto:sales@fluidall.com)

250WB			
250 Gallon Workbench, Single Wall Construction, Standard Openings on top, Drain Opening, Red Primer Coating			
	UL142 Listed	For Stationery Use Only	REV
SCALE	M Moran	SHEET	