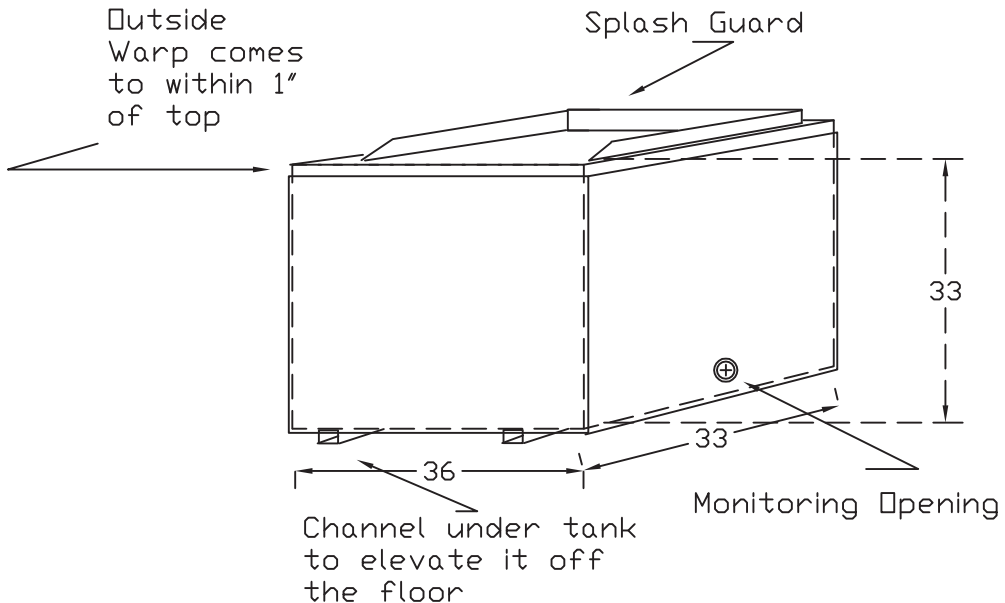
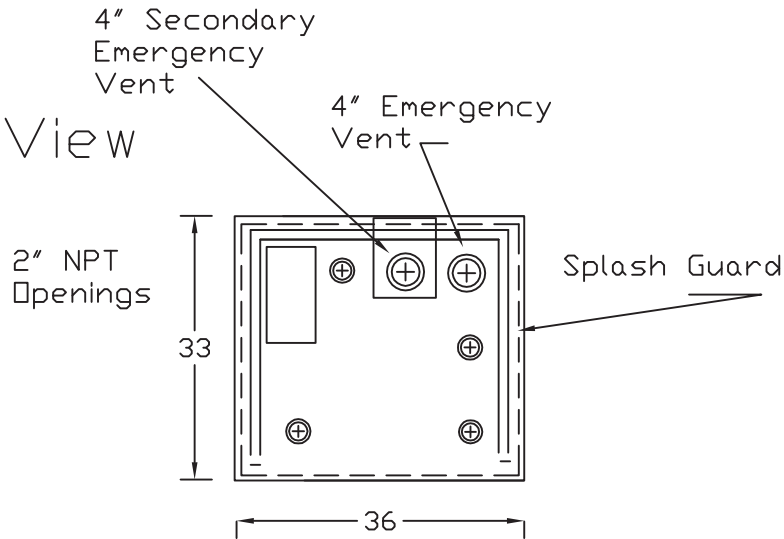



Tank Information

ZONE	REV	DESCRIPTION	DATE	APPROVED
		12 Gauge Carbon Steel Construction, UL142 Listed, Red Primer coating	Mar 2015	

FINAL APPROVED DRAWING
 BY: _____
 DATE: _____

Top View



 www.fluidall.com 800-849-0591 sales@fluidall.com	165DWWB		
	165 Gallon Work Bench Tank, Double wall construction, standard openings, channel under tank, red primer coating		
	UL142 Listed	For Stationery Use Only	REV
	SCALE	M Moran	SHEET