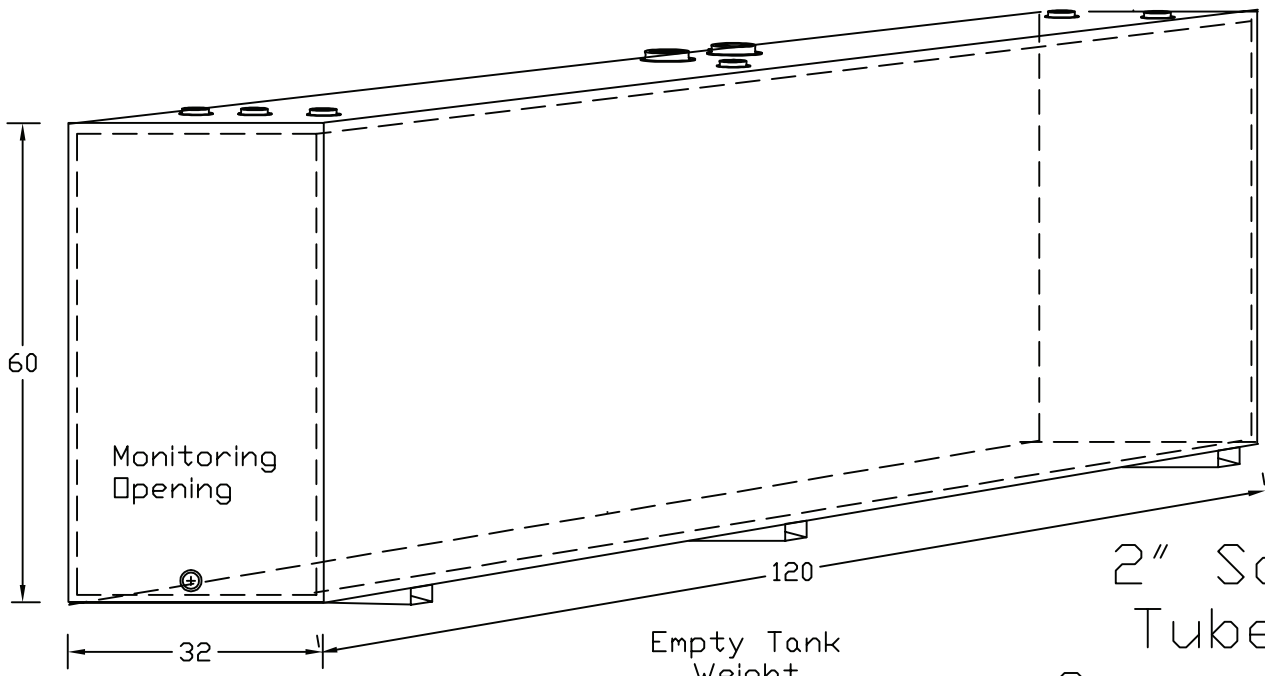
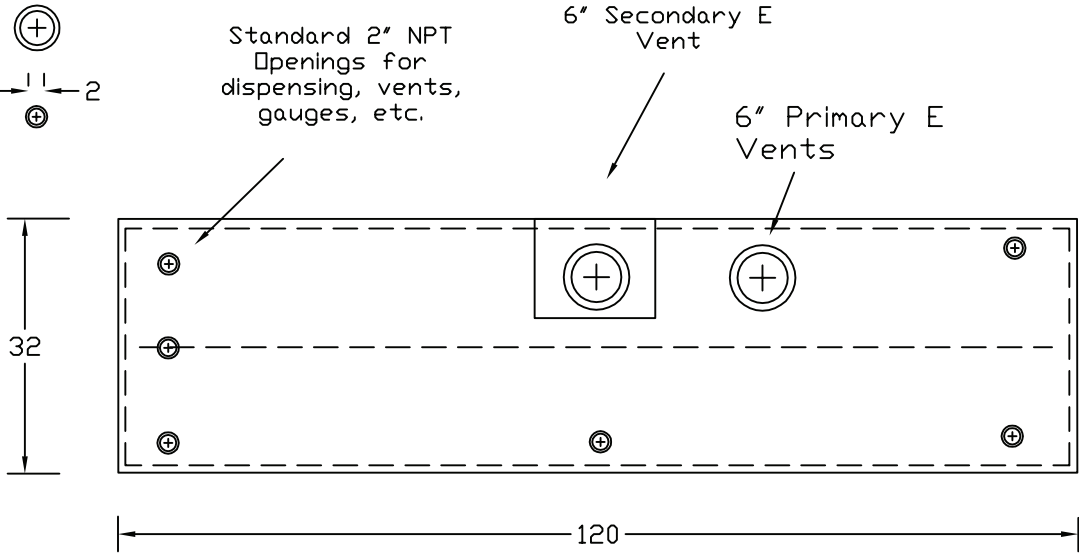


Tank Information			
ZONE	REV	DESCRIPTION	DATE
			July 2019


FINAL APPROVED DRAWING  
 BY: \_\_\_\_\_  
 DATE: \_\_\_\_\_



Empty Tank Weight  
 Approximately  
 2,000 Lbs

2" Sq.  
 Tube  
 Supports

Dimensions and Capacity are approximate. Every effort will be made to build to exact specifications but some variance may occur due to steel dimensions and construction requirements

  <a href="http://www.fluidall.com">www.fluidall.com</a> 800-849-0591 <a href="mailto:sales@fluidall.com">sales@fluidall.com</a>	1000LTDW		
	1000 Gallon Aboveground Rectangular Doublewall Tank, Standard Openings, Red Oxide Coating, 10 GA CS Primary Tank, 12GA CS Outer Wrap		
	UL 142 Listed	For Stationery Use Only	REV
	SCALE	Lane	SHEET