

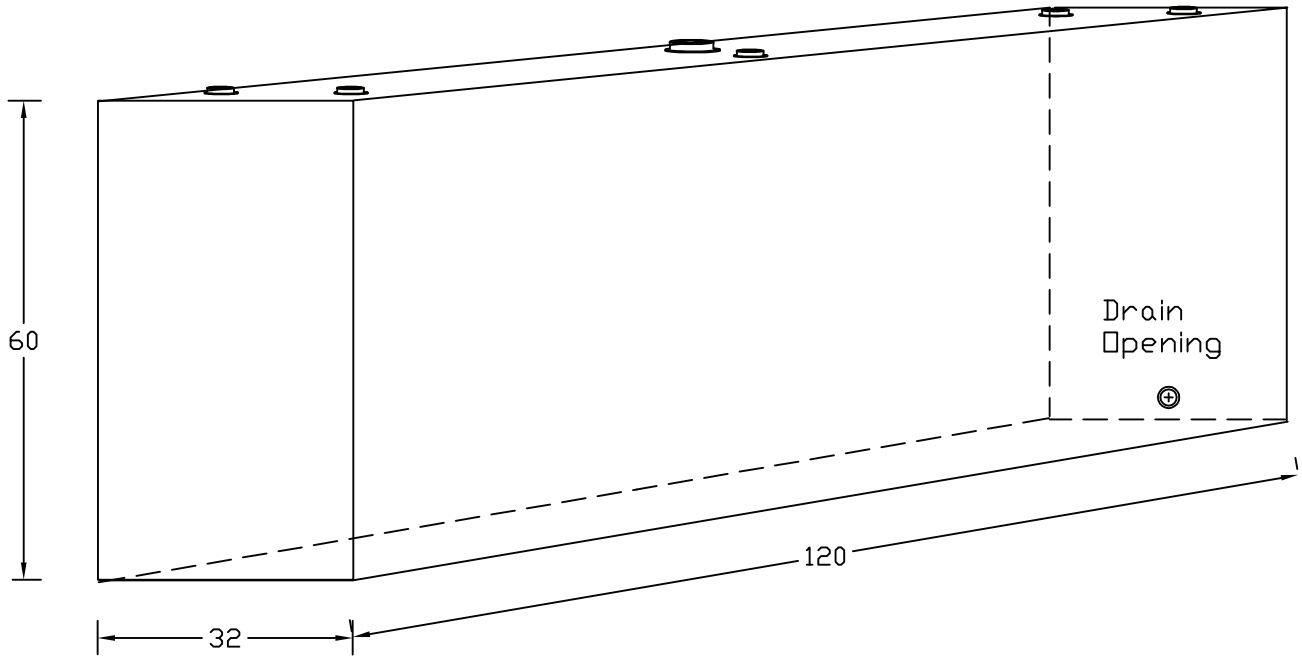
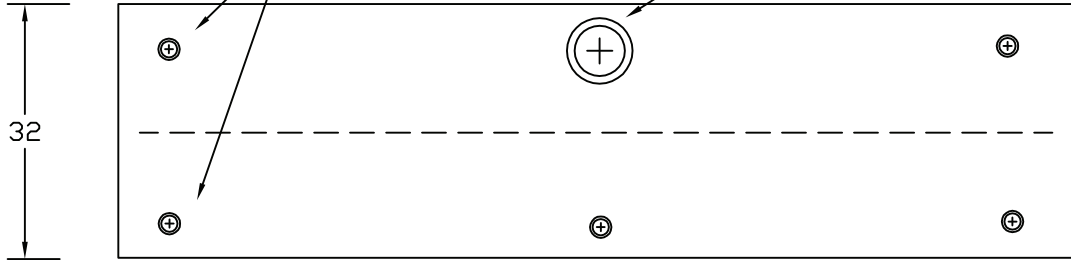
Tank Information				
ZONE	REV	DESCRIPTION	DATE	APPROVED


Mar 2015

FINAL APPROVED DRAWING
 BY: _____
 DATE: _____

Standard 2" NPT
 Openings for fill,
 dispensing, vents,
 gauges, etc.

6" Primary E
 Vents



 www.fluidall.com 800-849-0591 sales@fluidall.com	1000LT		
	1000 Gallon aboveground rectangular singlewall tank, Standard Openings, red oxide coating		
	UL 142 Listed	For Stationery Use Only	REV
	SCALE	M Moran	SHEET